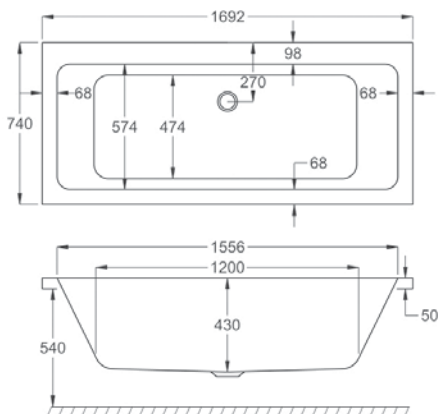


# QUANTUM DUO

		5MM	CARRONITE
L 1700MM	<b>QUANTUM DUO</b>	✓	✓
W 750MM	L-SHAPED PANEL 1700x750x540	-	✓
	FRONT PANEL 1700x540	✓	✓
	END PANEL 750x540	✓	✓
	SCREEN CFS-1 (H=1400MM)	✓	✓
	SCREEN CFS-2 (H=1500MM)	✓	✓



Carronite



Panel



Whirlpool

## WATER CAPACITY

190 LTR

This measurement is taken to the overflow

## WHIRLPOOL COMPATIBLE

C-LENDA SYSTEMS

1 &amp; 4

## KIT REFERENCES

STANDARD - AK-01

CARRONITE - AK-01-C