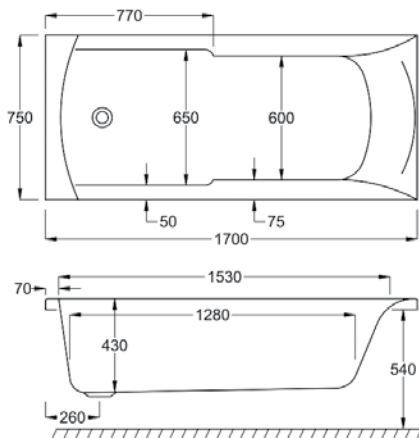


INDEX

L 1700MM
W 750MM

INDEX	5MM	CARRONITE
INDEX	✓	✓
L-SHAPED PANEL 1700x750x540	-	✓
FRONT PANEL 1700x540	✓	✓
END PANEL 750x540	✓	✓
SCREEN CFS-1 (H=1400MM)	✓	✓
SCREEN CFS-2 (H=1500MM)	✓	✓
GRIPS CCG-2	✓	✓



Carronite



Panel



Hand Grips

WATER CAPACITY

195 LTR

This measurement is taken to the overflow

WHIRLPOOL COMPATIBLE

N/A

KIT REFERENCES

STANDARD - AK-01

CARRONITE - AK-01-C