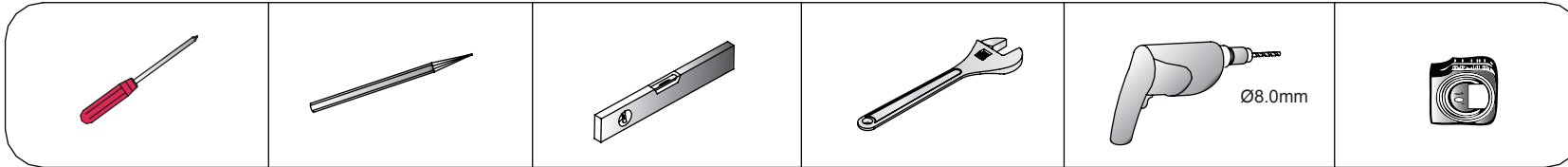
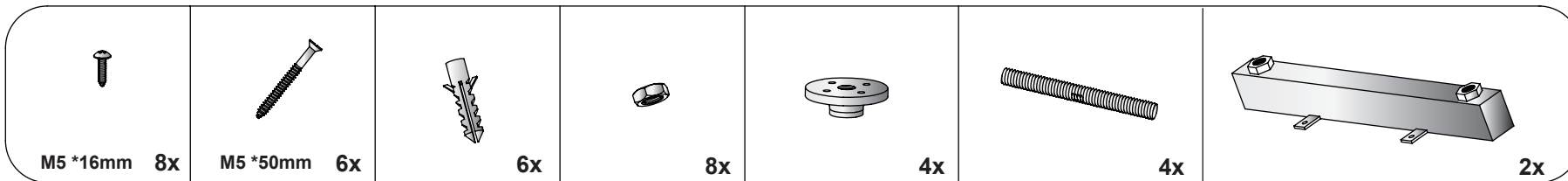


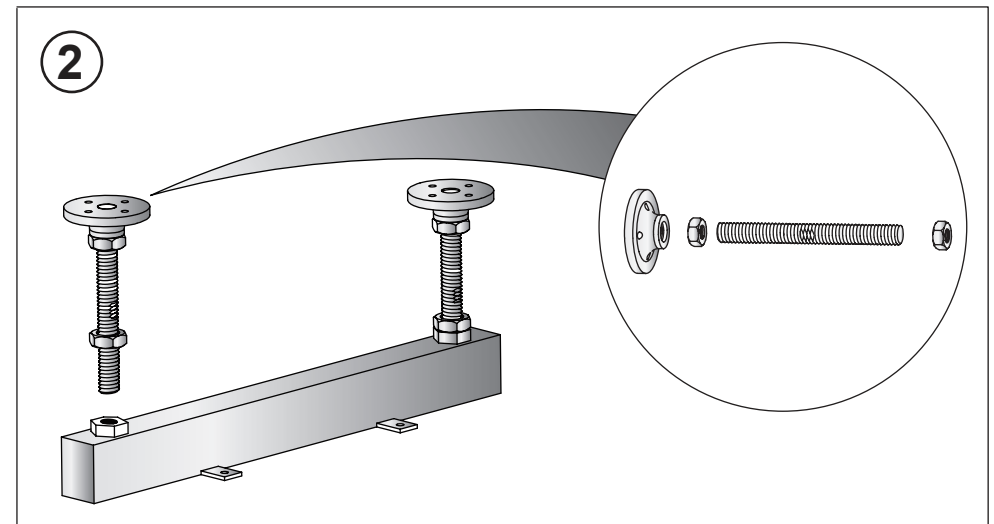
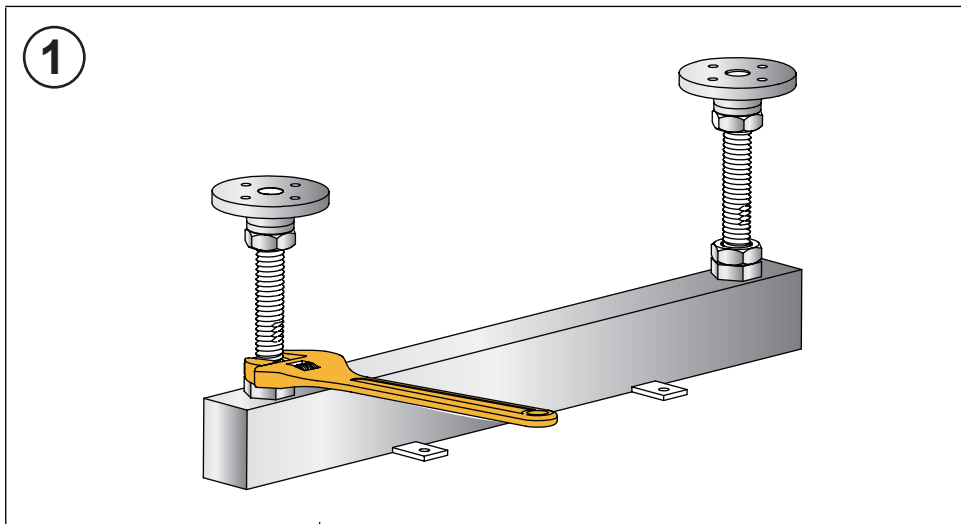
Tools required:



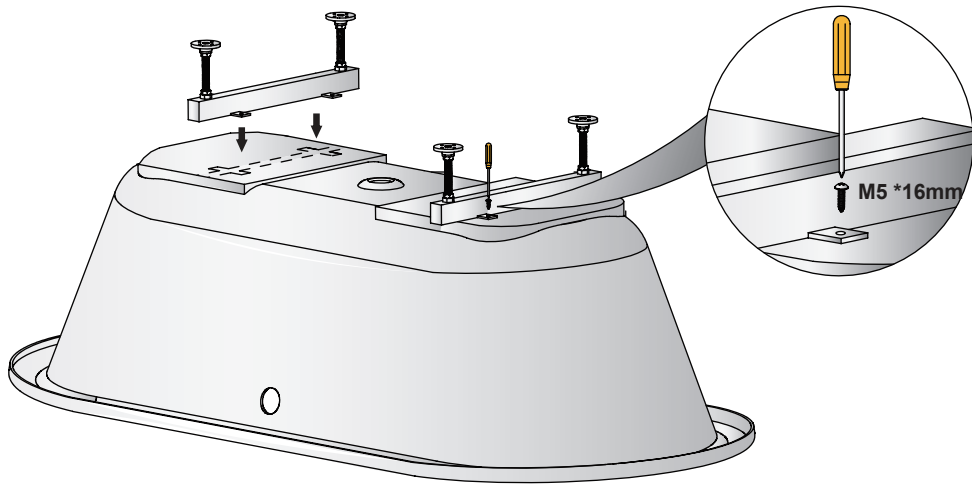
Parts supplied:



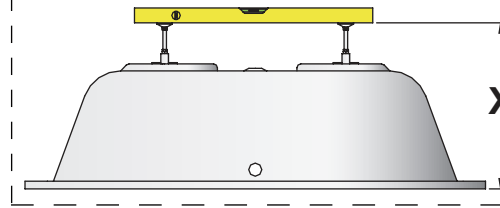
- Prior to installation check that all parts have been supplied.
- Assemble bath on a mat to protect against damage to bath surface.
- This product requires a two person lift - use proper lifting techniques.
- This installation guide does includes recommendation of waste connection; final decision about installation and waste connection should be taken by a suitably qualified person.
- Follow each step in turn.



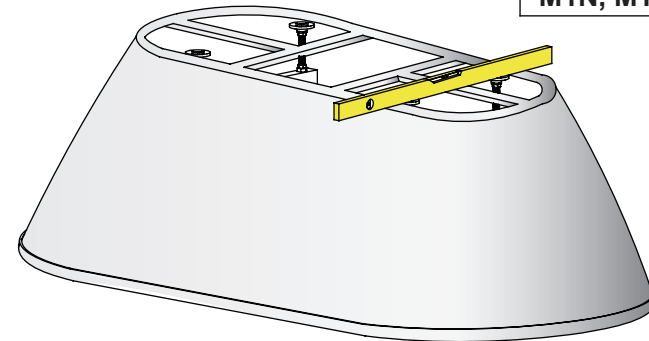
3



4

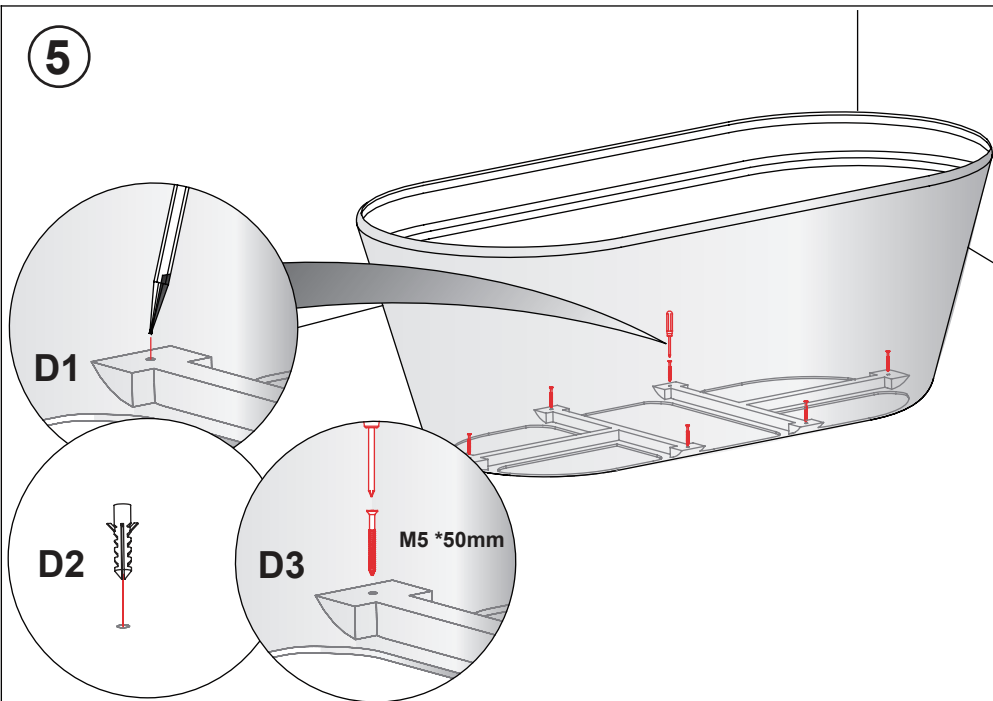


NO.	X (height)
R33, R34	615 mm
R31, R32	635 mm
R35, R36	620 mm
M2N, M2B	625 mm
M1N, M1B	600 mm

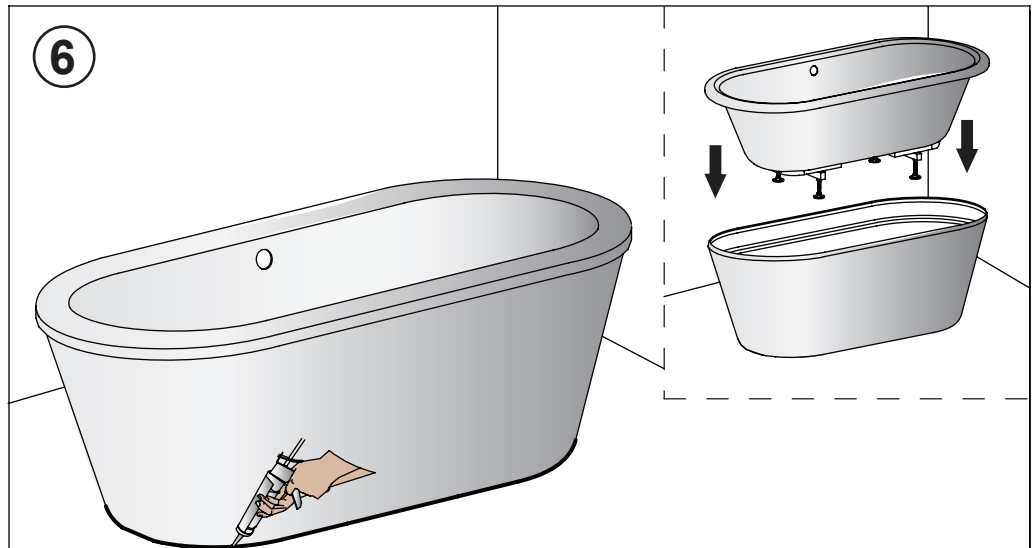


- Set the bath at the height Xmm from floor to the top of the bath rim.
Install the panel on to the bath and adjust if required to ensure that the bath feet are level with the panel in fitted position.

5



6



-  **Trap, waste and water feed connection should be completed first.**