

# SPECIFICATION SHEET

**COLLECTION:**OMIKA

**PRODUCT CODE:**TAB-128/3-OMI-C/P



## DESCRIPTION:

Tablet Omika vertical concealed 3 outlet 3 handle thermostatic shower valve with all-flow function wall mounted

thermostatic cartridge V-001C-PLA

diverter cartridge TAB-001G-DIV

flow cartridge TAB-002A-34

2 x 3/4 female inlets

3 x 3/4 female outlets

in

## FINISH:

Chrome

## WATER SAVING:

recommended flow regulator product code: FR-100/5-PLA

## MINIMUM OPERATING PRESSURE:

0.2 bar LP (shower) 1.0 bar MP (bath)

**FLOW RATE AT 3.0 BAR FLOW PRESSURE:** /min



tel: 01934 744466

email: sales@vado.com

www.vado.com

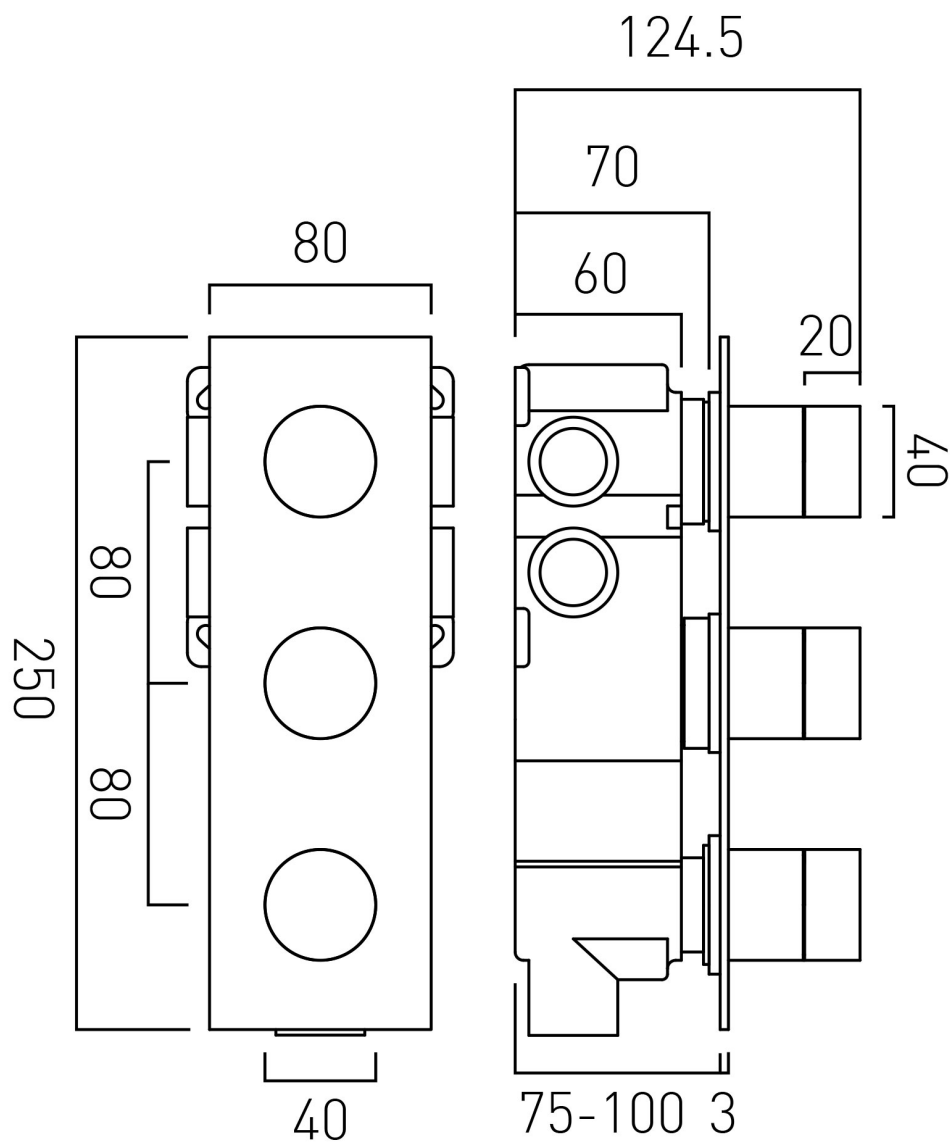
where inspiration flows  
taps | showering | accessories



# TECHNICAL DRAWING

**COLLECTION:** OMIKA SHOWERS

**PRODUCT CODE:** TAB-128/3-OMI-C/P



tel: 01934 744466

email: [sales@vado.com](mailto:sales@vado.com)

[www.vado.com](http://www.vado.com)

**where inspiration flows**

taps | showering | accessories

