

---

# SPECIFICATION SHEET

**COLLECTION:**OMIKA

**PRODUCT CODE:**OMI-147A-C/P



## DESCRIPTION:

Omika  
concealed 2 outlet shower valve with diverter  
single lever  
wall mounted  
with rectangular backplate  
ceramic cartridge CAR-K35A  
2 x 12 female inlets  
2 x 12 female outlets  
min-max wall mount 50-70mm  
minimum operating pressure 0.2 bar LP shower  
mi

## FINISH:

Chrome

## WATER SAVING:

recommended flow regulator product code: FR-100/5-PLA

## MINIMUM OPERATING PRESSURE:

0.2 bar LP (shower) 1.5 bar MP (bath)

**FLOW RATE AT 3.0 BAR FLOW PRESSURE:** /min



tel: 01934 744466  
email: sales@vado.com  
www.vado.com

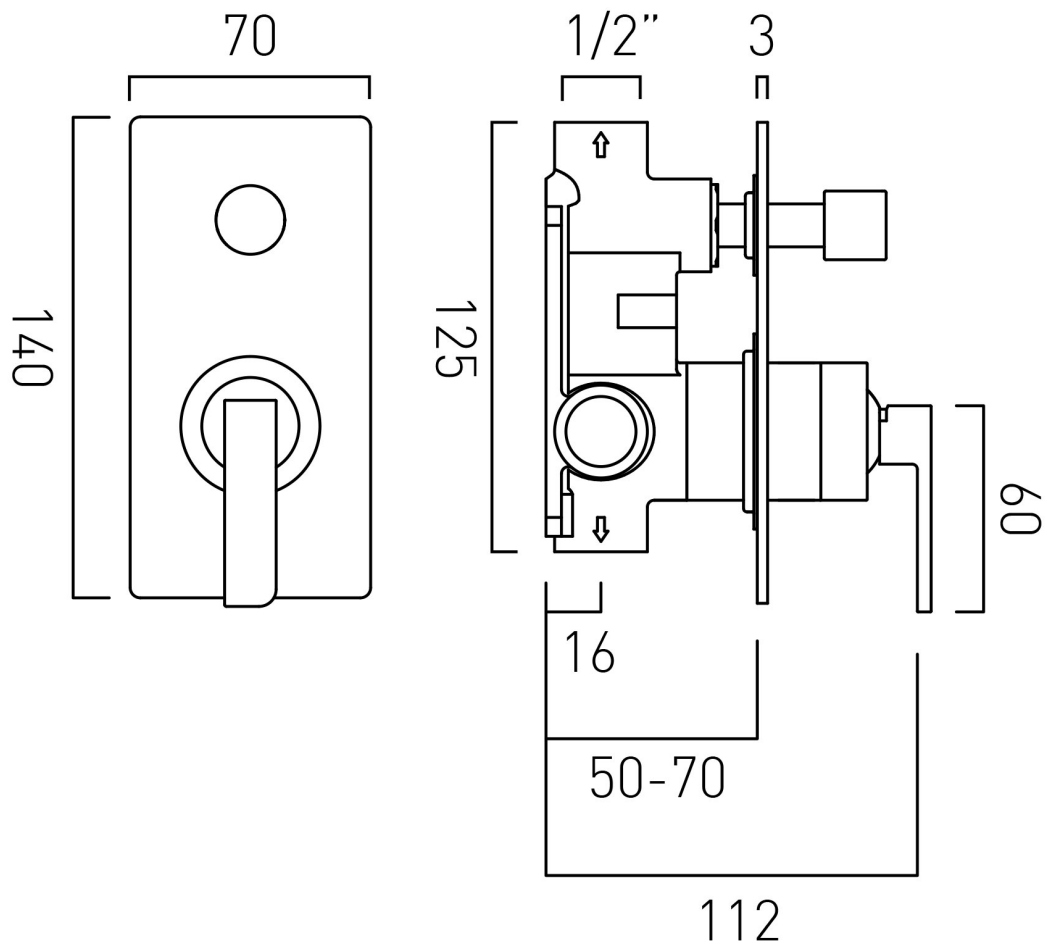
where inspiration flows  
taps | showering | accessories



# TECHNICAL DRAWING

**COLLECTION:** MANUAL VALVES

**PRODUCT CODE:** OMI-147A-C/P



tel: 01934 744466  
email: [sales@vado.com](mailto:sales@vado.com)  
[www.vado.com](http://www.vado.com)

**where inspiration flows**  
taps | showering | accessories

