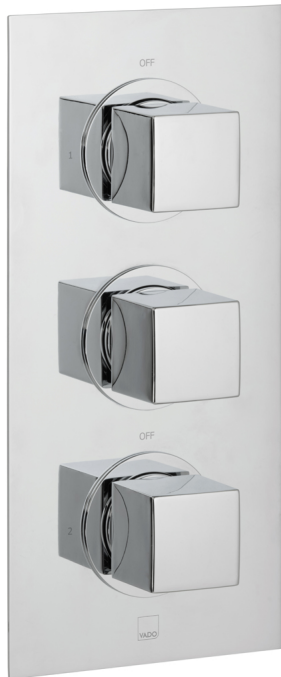


---

# SPECIFICATION SHEET

**COLLECTION:**

**PRODUCT CODE:**MIX-128D/2-C/P



## DESCRIPTION:

DX Mix 2  
concealed 2 outlet 3 handle thermostatic shower valve  
wall mounted  
with rectangular backplate  
thermostatic cartridge V-001C-PLA  
flow cartridge C-301-RTC  
2 x 34 female inlets  
2 x 34 female outlets  
includes 34 - 12 adaptors  
inc bleed valv

## FINISH:

Chrome

## WATER SAVING:

recommended flow regulator product code: FR-100/5-PLA

## MINIMUM OPERATING PRESSURE:

0.2 bar LP (shower) 1.0 bar MP (bath)

**FLOW RATE AT 3.0 BAR FLOW PRESSURE::** /min



tel: 01934 744466  
email: sales@vado.com  
www.vado.com

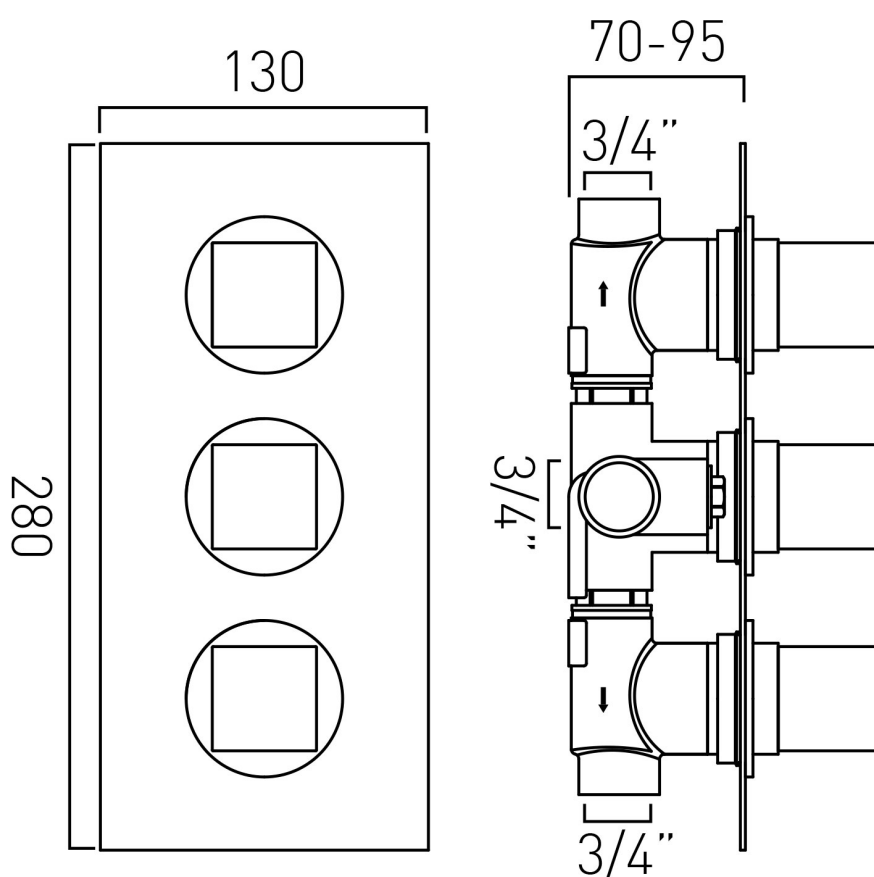
where inspiration flows  
taps | showering | accessories



# TECHNICAL DRAWING

**COLLECTION:** MIX<sup>2</sup> SHOWERS

**PRODUCT CODE:** MIX-128D/2-C/P



tel: 01934 744466  
email: [sales@vado.com](mailto:sales@vado.com)  
[www.vado.com](http://www.vado.com)

**where inspiration flows**  
taps | showering | accessories

