
SPECIFICATION SHEET

COLLECTION:CELSIUS

PRODUCT CODE:CEL-128D/2-C/P



DESCRIPTION:

DX Celsius
concealed 2 outlet 3 handle thermostatic
shower valve
wall mounted
with rectangular backplate
thermostatic cartridge V-001C-PLA
flow cartridge C-301-RTC
2 x 34 female inlets
2 x 34 female outlets
includes 34 - 12 adaptors
inc bleed va

FINISH:

Chrome

WATER SAVING:

recommended flow regulator product code: FR-100/5-PLA

MINIMUM OPERATING PRESSURE:

0.2 bar LP (shower) 1.0 bar MP (bath)

FLOW RATE AT 3.0 BAR FLOW PRESSURE: /min



tel: 01934 744466
email: sales@vado.com
www.vado.com

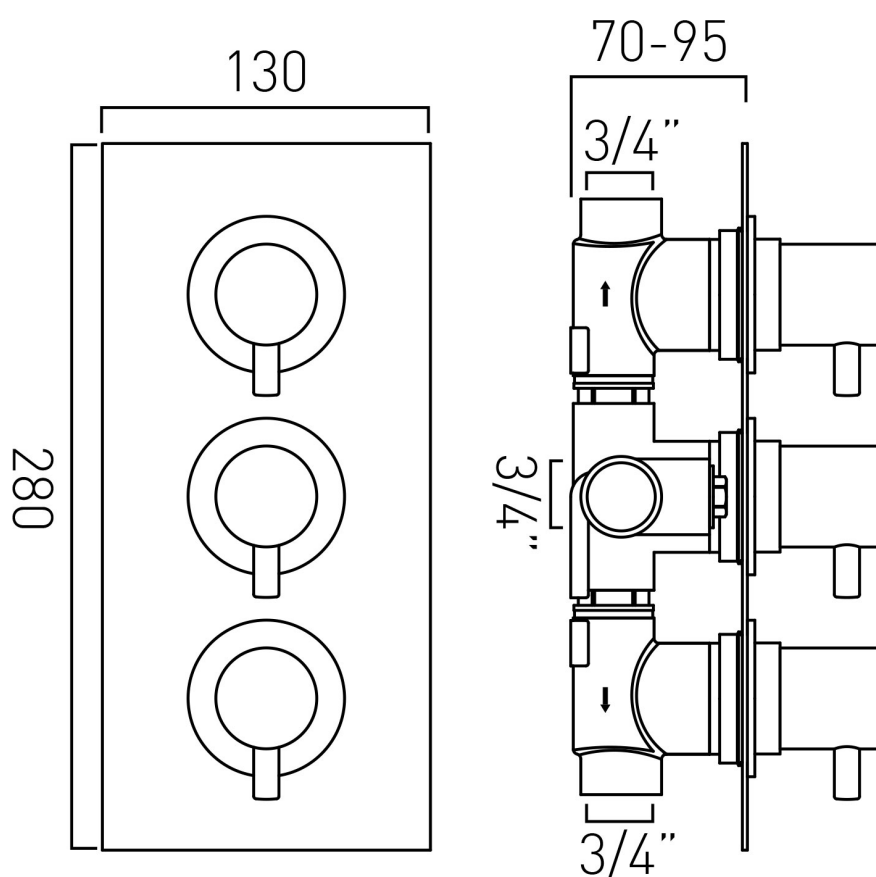
where inspiration flows
taps | showering | accessories



TECHNICAL DRAWING

COLLECTION: CELSIUS SHOWERS

PRODUCT CODE: CEL-128D/2-C/P



tel: 01934 744466
email: sales@vado.com
www.vado.com

where inspiration flows
taps | showering | accessories

