
SPECIFICATION SHEET

COLLECTION:ORIGINS

PRODUCT CODE:ORI-148D-C/P



DESCRIPTION:

DX Origins
concealed 1 outlet 2 handle thermostatic shower valve
wall mounted
with circular backplate
thermostatic cartridge V-001C-PLA
flow cartridge C-301-RTC
2 x 3/4 female inlets
1 x 3/4 female outlet
includes 3/4 - 1/2 adaptors
inc bleed valve

FINISH:

Chrome

WATER SAVING:

recommended flow regulator product code: FR-100/5-PLA

MINIMUM OPERATING PRESSURE:

0.2 bar LP (shower) 1.0 bar MP (bath)

FLOW RATE AT 3.0 BAR FLOW PRESSURE: /min



tel: 01934 744466
email: sales@vado.com
www.vado.com

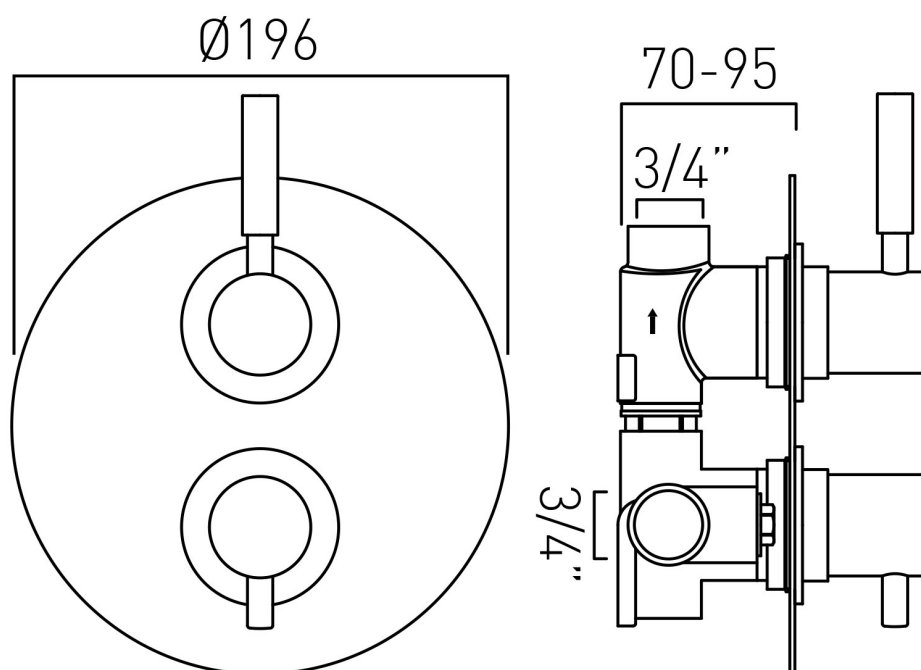
where inspiration flows
taps | showering | accessories



TECHNICAL DRAWING

COLLECTION: ORIGINS SHOWERS

PRODUCT CODE: ORI-148D-C/P



tel: 01934 744466

email: sales@vado.com

www.vado.com

where inspiration flows

taps | showering | accessories

VADO