

---

# SPECIFICATION SHEET

**COLLECTION:**ORIGINS

**PRODUCT CODE:**ORI-148D/2-C/P



## DESCRIPTION:

DX Origins  
concealed 2 outlet 2 handle thermostatic  
shower valve with integrated diverter  
wall mounted  
with circular backplate  
thermostatic cartridge V-001C-PLA  
diverter cartridge FL-804-33X3X  
2 x 3/4 female inlets  
2 x 3/4 female outlets  
includes 3/4

## FINISH:

Chrome

## WATER SAVING:

recommended flow regulator product code: FR-100/5-PLA

## MINIMUM OPERATING PRESSURE:

0.2 bar LP (shower) 1.0 bar MP (bath)

**FLOW RATE AT 3.0 BAR FLOW PRESSURE:** /min



---

tel: 01934 744466  
email: sales@vado.com  
www.vado.com

where inspiration flows  
taps | showering | accessories

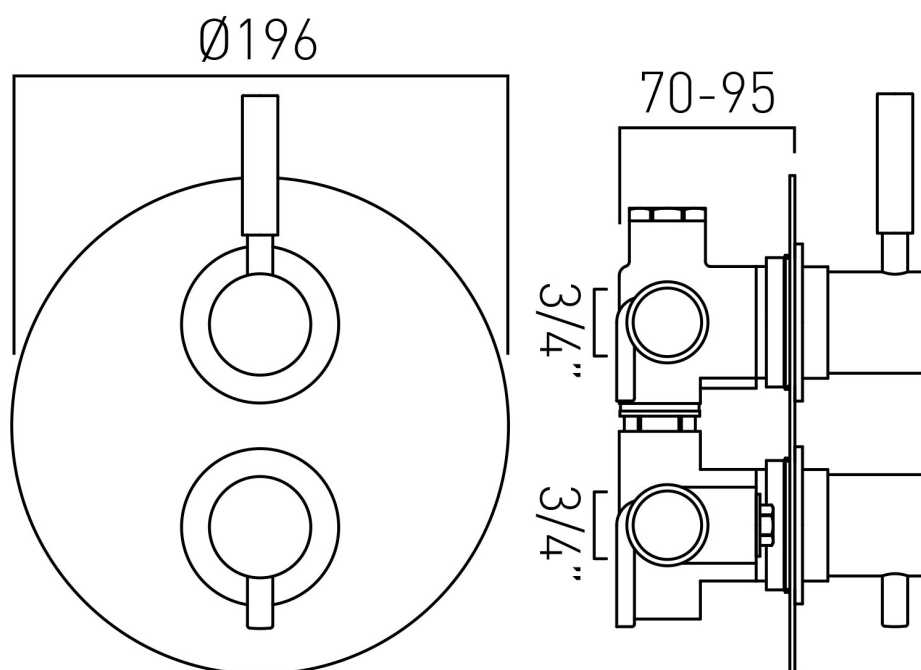


---

# TECHNICAL DRAWING

**COLLECTION:** ORIGINS SHOWERS

**PRODUCT CODE:** ORI-148D/2-C/P



tel: 01934 744466  
email: [sales@vado.com](mailto:sales@vado.com)  
[www.vado.com](http://www.vado.com)

**where inspiration flows**  
taps | showering | accessories

