

SPECIFICATION SHEET

COLLECTION:OMIKA

PRODUCT CODE:TAB-148-OMI-C/P



DESCRIPTION:

Tablet Omika vertical concealed
1 outlet 2 handle thermostatic shower valve
wall mounted
thermostatic cartridge V-001C-PLA
flow cartridge TAB-002A-34
2 x 3/4 female inlets
1 x 3/4 female outlet
includes 3/4 - 1/2 adaptors
supplied with mortartile guard
min-max wall mount 75-100mm
optimum installation depth 87mm
minimum operating pressure
0.2 bar LP shower 1.0 bar MP bath

FINISH:

Chrome

WATER SAVING:

recommended flow regulator product code: FR-100/5-PLA

MINIMUM OPERATING PRESSURE:

0.2 bar LP (shower) 1.0 bar MP (bath)

FLOW RATE AT 3.0 BAR FLOW PRESSURE: /min



tel: 01934 744466
email: sales@vado.com
www.vado.com

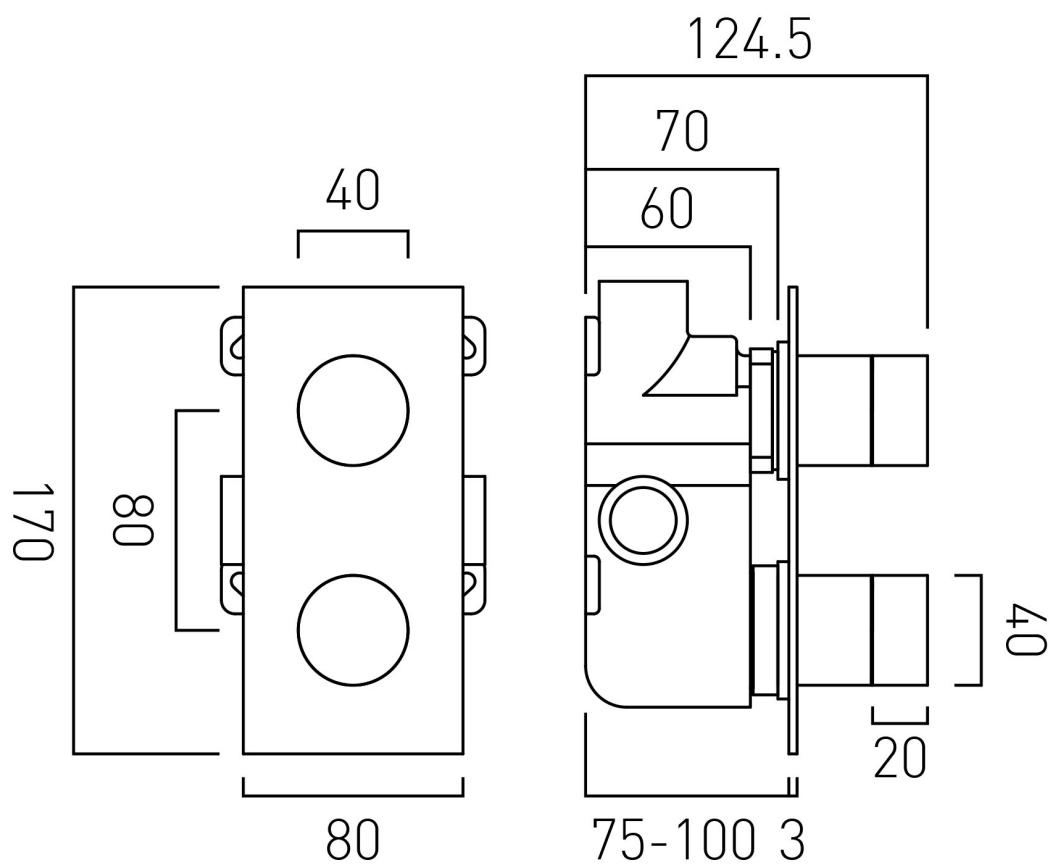
where inspiration flows
taps | showering | accessories



TECHNICAL DRAWING

COLLECTION: OMIKA SHOWERS

PRODUCT CODE: TAB-148-OMI-C/P



tel: 01934 744466
email: sales@vado.com
www.vado.com

where inspiration flows
taps | showering | accessories

