
SPECIFICATION SHEET

COLLECTION:ELEMENTS

PRODUCT CODE:ELE-184-45-C/P



DESCRIPTION:

towel rail
wall mounted
450mm 18

FINISH:

Chrome

WATER SAVING:

recommended flow regulator product code: FR-100/5-PLA

MINIMUM OPERATING PRESSURE:

FLOW RATE AT 3.0 BAR FLOW PRESSURE:: /min



tel: 01934 744466
email: sales@vado.com
www.vado.com

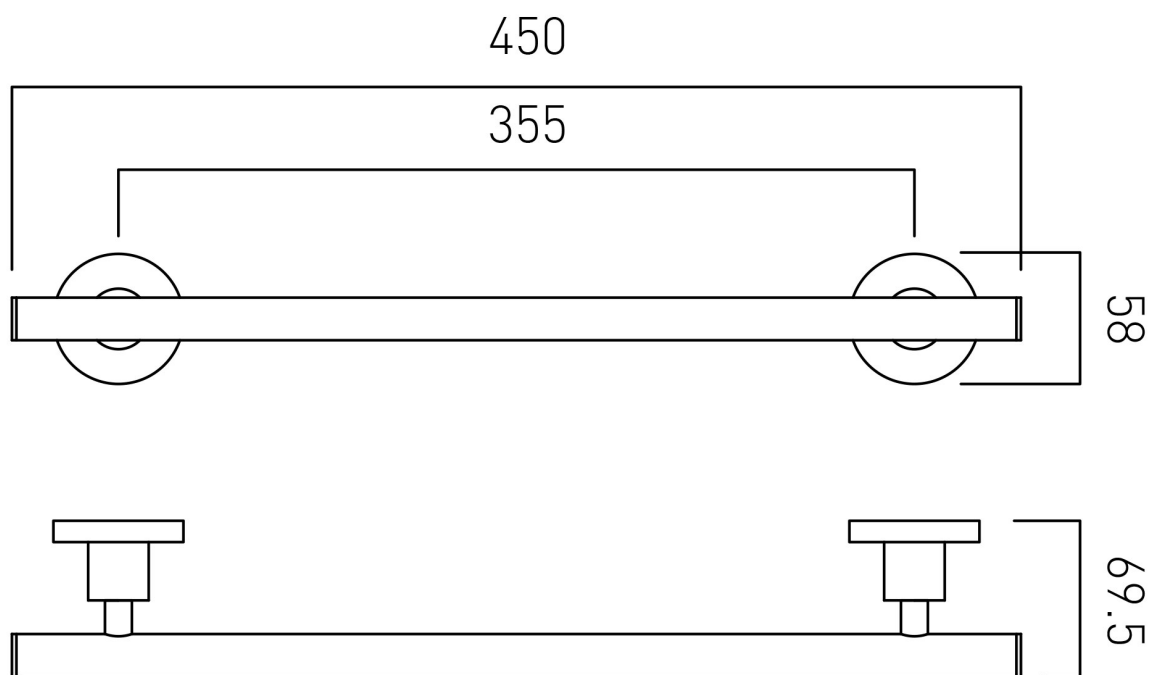
where inspiration flows
taps | showering | accessories



TECHNICAL DRAWING

COLLECTION: ELEMENTS

PRODUCT CODE: ELE-184-45-C/P



tel: 01934 744466
email: sales@vado.com
www.vado.com

where inspiration flows
taps | showering | accessories

