

---

# SPECIFICATION SHEET

**COLLECTION:** LEVEL

**PRODUCT CODE:** LEV-185B-C/P



---

**DESCRIPTION:**

towel shelf with towel rail  
wall mounted  
550mm 22

**FINISH:**

Chrome

**WATER SAVING:**

recommended flow regulator product code: FR-100/5-PLA

**MINIMUM OPERATING PRESSURE:**

**FLOW RATE AT 3.0 BAR FLOW PRESSURE:** /min



---

tel: 01934 744466  
email: sales@vado.com  
www.vado.com

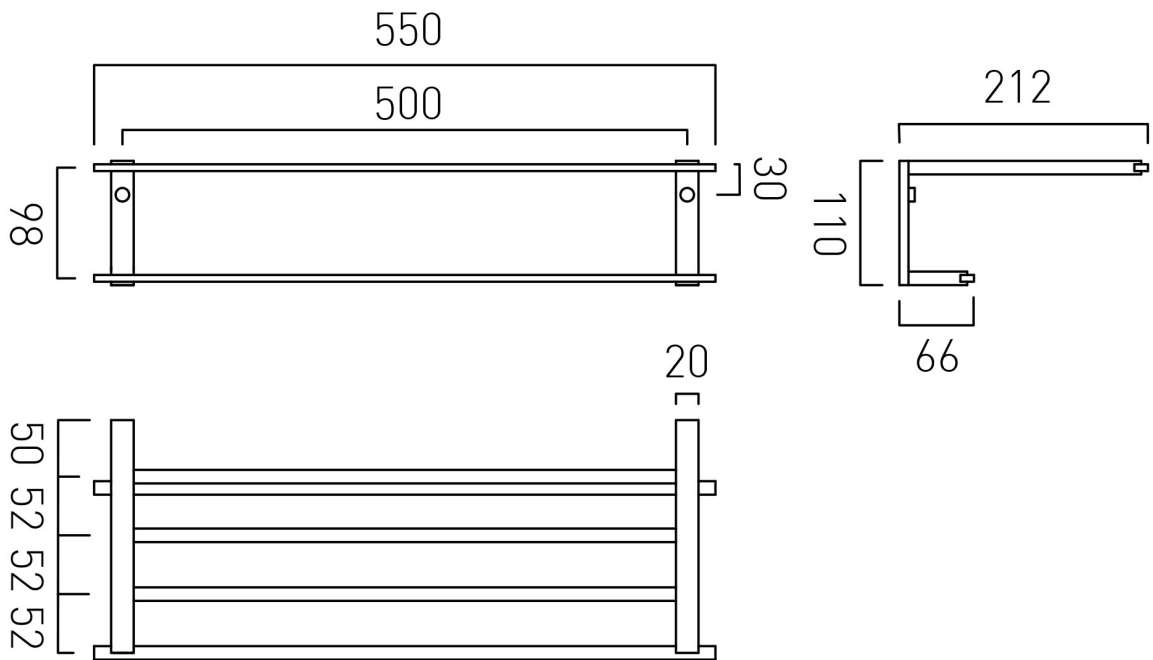
where inspiration flows  
taps | showering | accessories



# TECHNICAL DRAWING

**COLLECTION:** LEVEL

**PRODUCT CODE:** LEV-185B-C/P



tel: 01934 744466

email: [sales@vado.com](mailto:sales@vado.com)

[www.vado.com](http://www.vado.com)

**where inspiration flows**

taps | showering | accessories

