

---

# SPECIFICATION SHEET

**COLLECTION:** ASTRA CONTRACT

**PRODUCT CODE:** AST-137-C/P



---

## DESCRIPTION:

2 hole bath filler  
deck mounted  
with water flow straightener  
standard cartridge for AST-1 only C-102-STD  
34 x 50mm threaded tail connections  
deck mount drill hole diameter 27mm  
minimum operating pressure 0.2 bar LP

## FINISH:

Chrome

## WATER SAVING:

recommended flow regulator product code: FR-100/5-PLA

## MINIMUM OPERATING PRESSURE:

0.2 bar LP

## FLOW RATE AT 3.0 BAR FLOW PRESSURE: /min



---

tel: 01934 744466  
email: sales@vado.com  
www.vado.com

where inspiration flows  
taps | showering | accessories

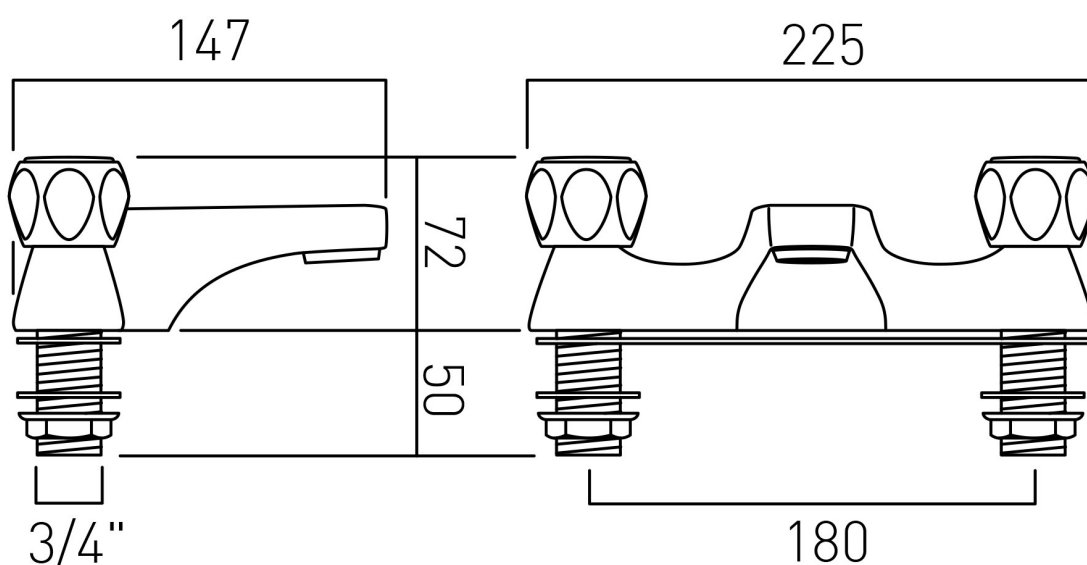


---

# TECHNICAL DRAWING

**COLLECTION:** ASTRA

**PRODUCT CODE:** AST-137-C/P



tel: 01934 744466  
email: [sales@vado.com](mailto:sales@vado.com)  
[www.vado.com](http://www.vado.com)

**where inspiration flows**  
taps | showering | accessories

