
SPECIFICATION SHEET

COLLECTION: ASTRA CONTRACT

PRODUCT CODE: AST-137/CD-C/P



DESCRIPTION:

2 hole bath filler
deck mounted
with water flow straightener
cold ceramic cartridge C-201-RTC
hot ceramic cartridge C-201-LTC
34 x 50mm threaded tail connections
deck mount drill hole diameter 27mm
minimum operating pressure 0.2 bar LP

FINISH:

Chrome

WATER SAVING:

recommended flow regulator product code: FR-100/5-PLA

MINIMUM OPERATING PRESSURE:

0.2 bar LP

FLOW RATE AT 3.0 BAR FLOW PRESSURE: /min



tel: 01934 744466
email: sales@vado.com
www.vado.com

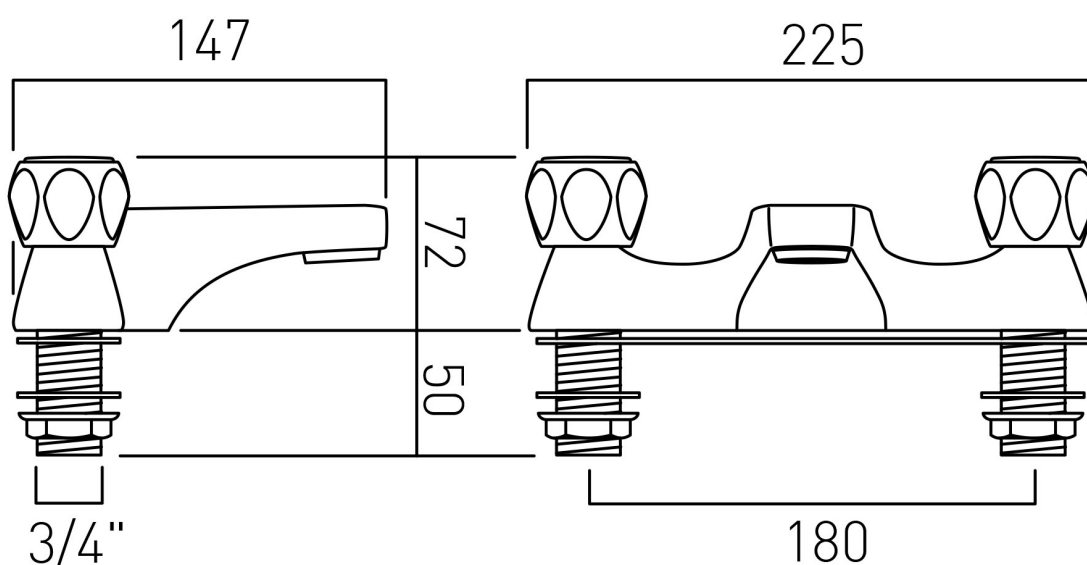
where inspiration flows
taps | showering | accessories



TECHNICAL DRAWING

COLLECTION: ASTRA

PRODUCT CODE: AST-137-C/P



tel: 01934 744466
email: sales@vado.com
www.vado.com

where inspiration flows
taps | showering | accessories

