
SPECIFICATION SHEET

COLLECTION:KENSINGTON

PRODUCT CODE:KEN-100/CD-C/P



DESCRIPTION:

mono basin mixer
deck mounted
with pop-up waste
with water flow straightener
with water flow aerator
cold ceramic cartridge C-201-RTC
hot ceramic cartridge C-201-LTC
2 x 12 nut x 400mm flexipipe connections
deck mount drill hole diameter 35mm
minimum op

FINISH:

Chrome

WATER SAVING:

recommended flow regulator product code: FR-100/5-PLA

MINIMUM OPERATING PRESSURE:

0.2 bar LP

FLOW RATE AT 3.0 BAR FLOW PRESSURE: /min



tel: 01934 744466
email: sales@vado.com
www.vado.com

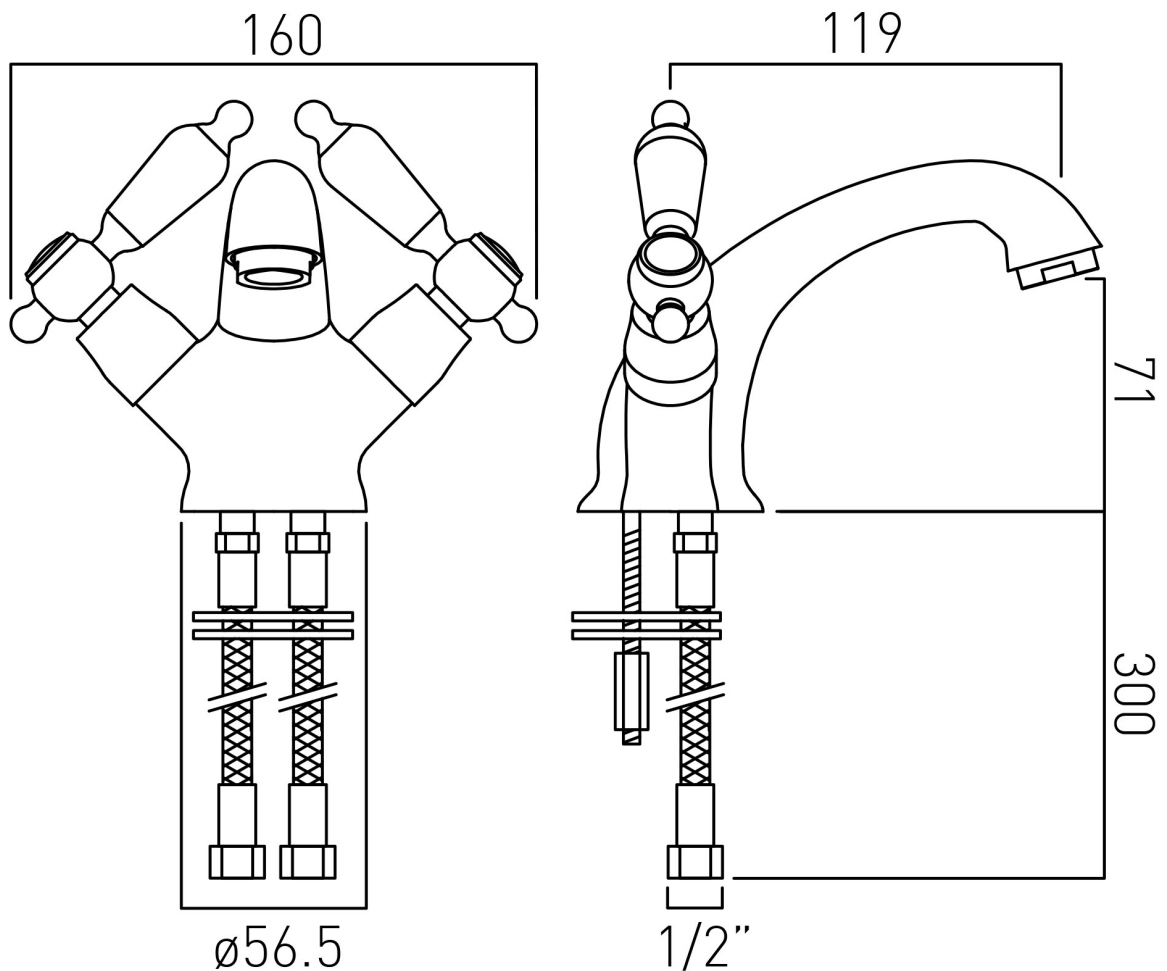
where inspiration flows
taps | showering | accessories



TECHNICAL DRAWING

COLLECTION: KENSINGTON

PRODUCT CODE: KEN-100/CD-C/P



tel: 01934 744466

email: sales@vado.com

www.vado.com

where inspiration flows

taps | showering | accessories

VADO