

---

# SPECIFICATION SHEET

**COLLECTION:**VECTA

**PRODUCT CODE:**VEC-100/CD-C/P



---

## DESCRIPTION:

mono basin mixer  
deck mounted  
with pop-up waste  
with water flow straightener  
with water flow aerator  
cold ceramic cartridge C-201-RTC  
hot ceramic cartridge C-201-LTC  
2 x 1/2" nut x 400mm flexipipe connections  
deck mount drill hole diameter 35mm  
minimum op

## FINISH:

Chrome

## WATER SAVING:

recommended flow regulator product code: FR-100/5-PLA

## MINIMUM OPERATING PRESSURE:

0.2 bar LP

## FLOW RATE AT 3.0 BAR FLOW PRESSURE: /min



---

tel: 01934 744466  
email: sales@vado.com  
www.vado.com

where inspiration flows  
taps | showering | accessories

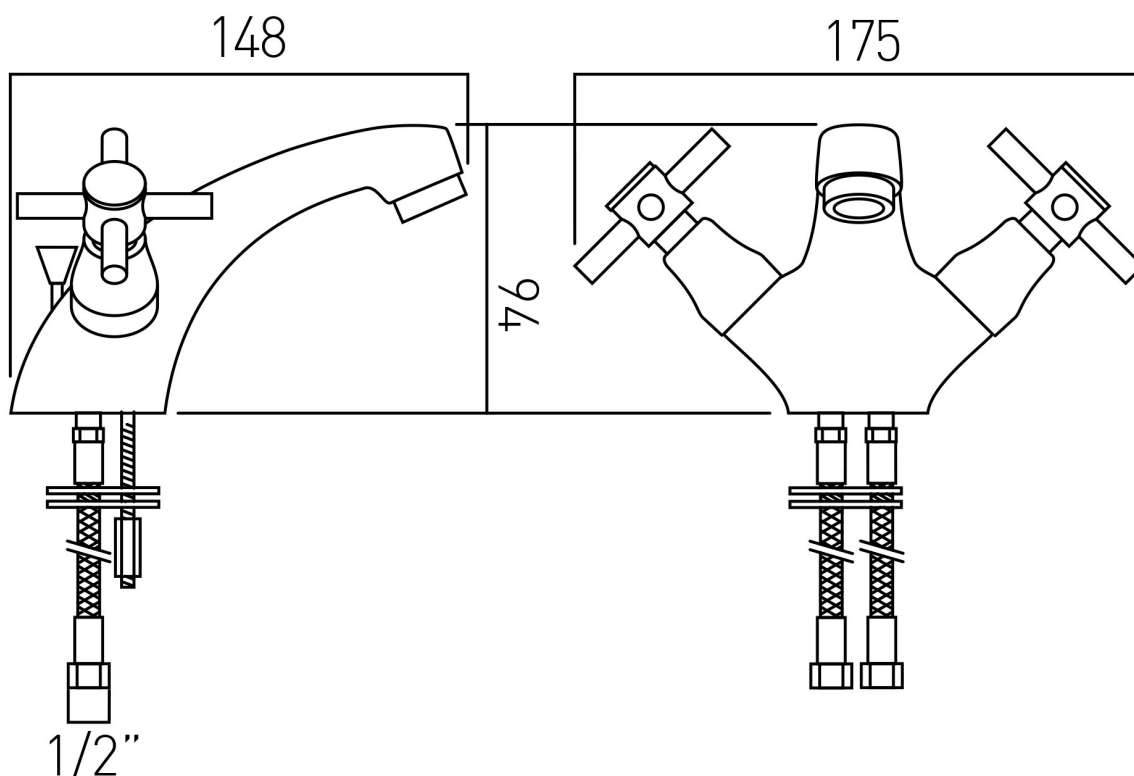


---

# TECHNICAL DRAWING

**COLLECTION:** VECTA

**PRODUCT CODE:** VEC-100/CD-C/P



tel: 01934 744466  
email: sales@vado.com  
www.vado.com

**where inspiration flows**  
taps | showering | accessories

