
SPECIFICATION SHEET

COLLECTION:PHOTON

PRODUCT CODE:PHO-130+K-C/P



DESCRIPTION:

2 hole bath shower mixer
deck mounted
with Atmosphere single function handset
cold ceramic cartridge C-302-RTC
hot ceramic cartridge C-302-LTC
2 x 34 fitted tails
1 x 12 shower outlet
deck mount drill hole diameter 28-30mm
minimum operating pressure 0

FINISH:

Chrome

WATER SAVING:

recommended flow regulator product code: FR-100/5-PLA

MINIMUM OPERATING PRESSURE:

0.2 bar LP

FLOW RATE AT 3.0 BAR FLOW PRESSURE: /min



tel: 01934 744466
email: sales@vado.com
www.vado.com

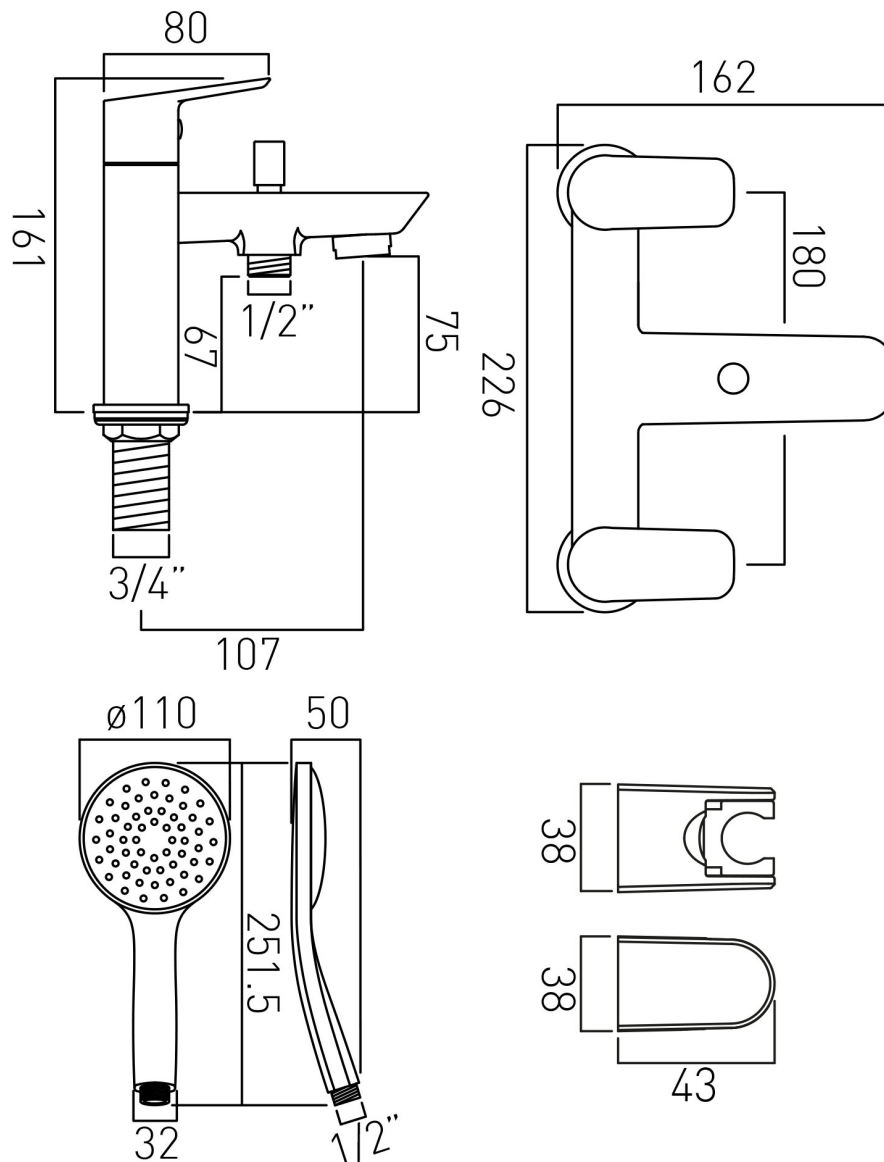
where inspiration flows
taps | showering | accessories



TECHNICAL DRAWING

COLLECTION: PHOTON

PRODUCT CODE: PHO-130+K-C/P



tel: 01934 744466

email: sales@vado.com

www.vado.com

where inspiration flows

taps | showering | accessories

