

---

# SPECIFICATION SHEET

**COLLECTION:** PHASE

**PRODUCT CODE:** PHA-130+K-C/P



## DESCRIPTION:

2 hole bath shower mixer  
deck mounted  
with V2 single function handset  
cold ceramic cartridge C-302-RTC  
hot ceramic cartridge C-302-LTC  
2 x 34 fitted tails  
1 x 12 shower outlet  
deck mount drill hole diameter 28-30mm  
minimum operating pressure 0.2 bar L

## FINISH:

Chrome

## WATER SAVING:

recommended flow regulator product code: FR-100/5-PLA

## MINIMUM OPERATING PRESSURE:

0.2 bar LP

**FLOW RATE AT 3.0 BAR FLOW PRESSURE:** /min



tel: 01934 744466  
email: sales@vado.com  
www.vado.com

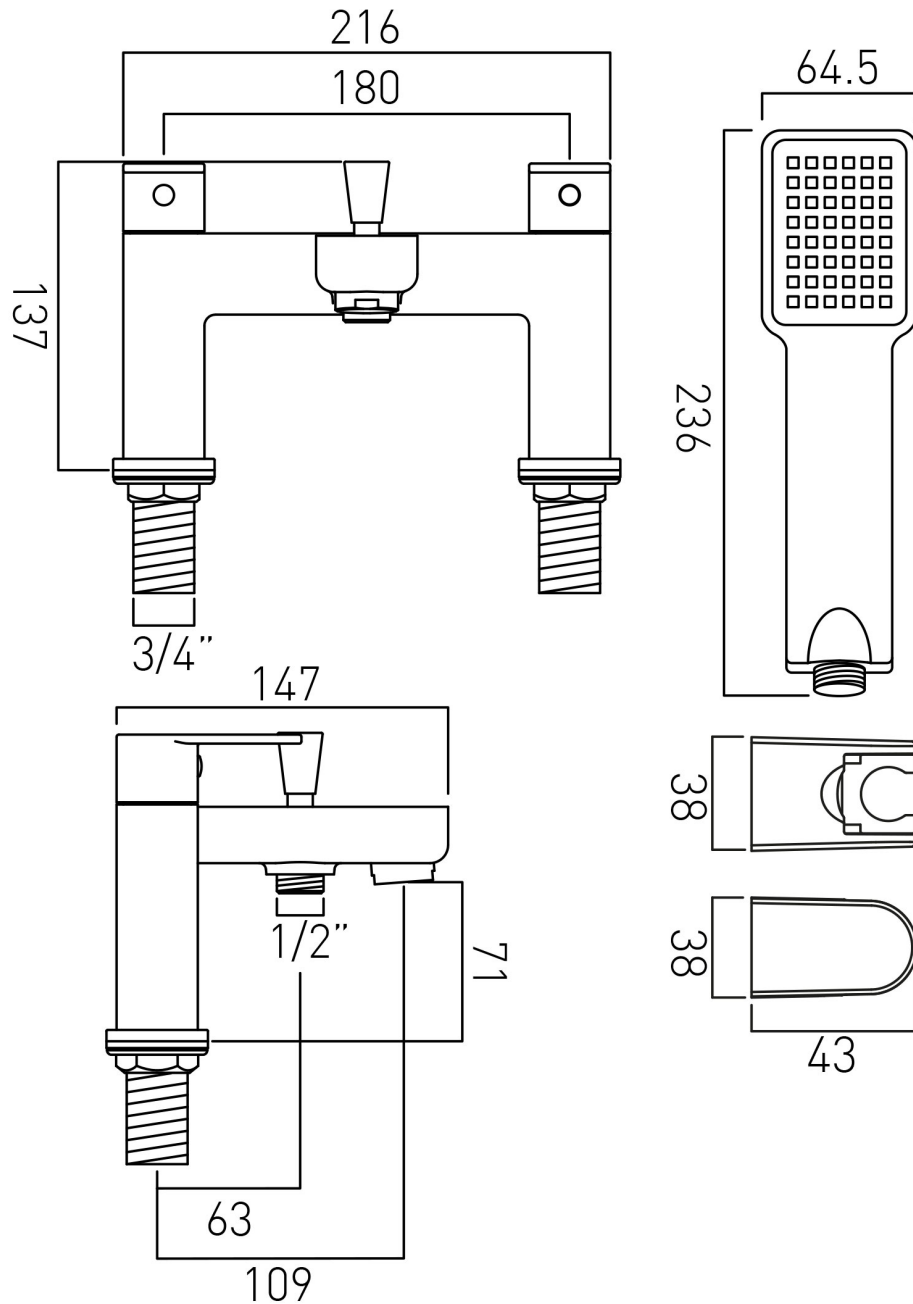
where inspiration flows  
taps | showering | accessories



# TECHNICAL DRAWING

**COLLECTION:** PHASE

**PRODUCT CODE:** PHA-130+K-C/P



tel: 01934 744466

email: sales@vado.com

www.vado.com

**where inspiration flows**

taps | showering | accessories

