

---

# SPECIFICATION SHEET

**COLLECTION:** PHASE

**PRODUCT CODE:** PHA-200/CC-C/P



## DESCRIPTION:

mono basin mixer  
single lever  
deck mounted  
smooth bodied  
with universal basin waste  
with water flow aerator  
ceramic cartridge C-009-N35R  
2 x 12 x 400mm flexipipe connections  
deck mount drill hole diameter 35mm  
minimum operating pressure 0.2 bar LP

## FINISH:

Chrome

## WATER SAVING:

recommended flow regulator product code: FR-100/5-PLA

## MINIMUM OPERATING PRESSURE:

0.2 bar LP

## FLOW RATE AT 3.0 BAR FLOW PRESSURE: /min



tel: 01934 744466  
email: sales@vado.com  
www.vado.com

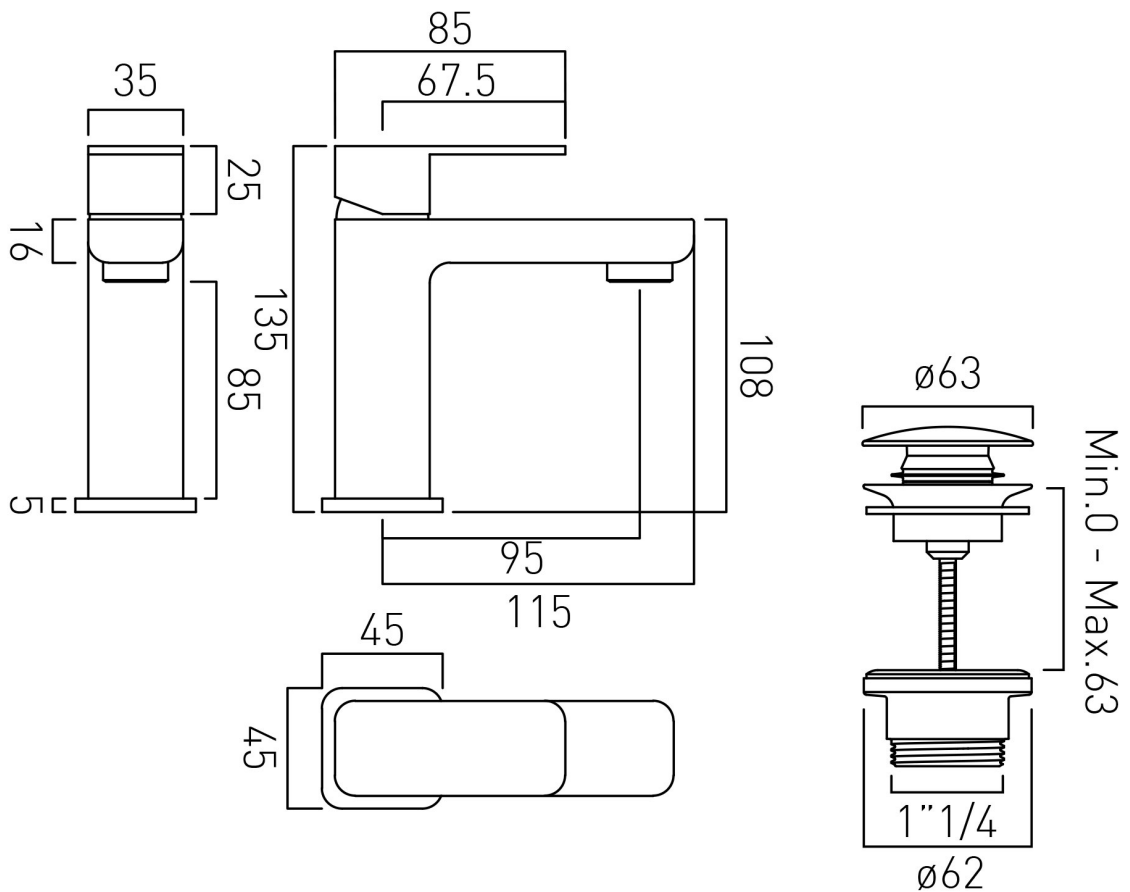
where inspiration flows  
taps | showering | accessories



# TECHNICAL DRAWING

**COLLECTION:** PHASE

**PRODUCT CODE:** PHA-200/CC-C/P



tel: 01934 744466

email: [sales@vado.com](mailto:sales@vado.com)

[www.vado.com](http://www.vado.com)

**where inspiration flows**

taps | showering | accessories

**VADO**