

---

# SPECIFICATION SHEET

**COLLECTION:**SENSE

**PRODUCT CODE:**SEN-130+K-C/P



## DESCRIPTION:

2 hole bath shower mixer  
deck mounted  
with Zoo single function handset  
with water flow straightener  
cold ceramic cartridge C-302-RTC  
hot ceramic cartridge C-302-LTC  
34 x 50mm fitted tail connections  
deck mount drill hole diameter 28mm  
minimum operating

## FINISH:

Chrome

## WATER SAVING:

recommended flow regulator product code: FR-100/5-PLA

## MINIMUM OPERATING PRESSURE:

0.2 bar LP

## FLOW RATE AT 3.0 BAR FLOW PRESSURE: /min



tel: 01934 744466  
email: sales@vado.com  
www.vado.com

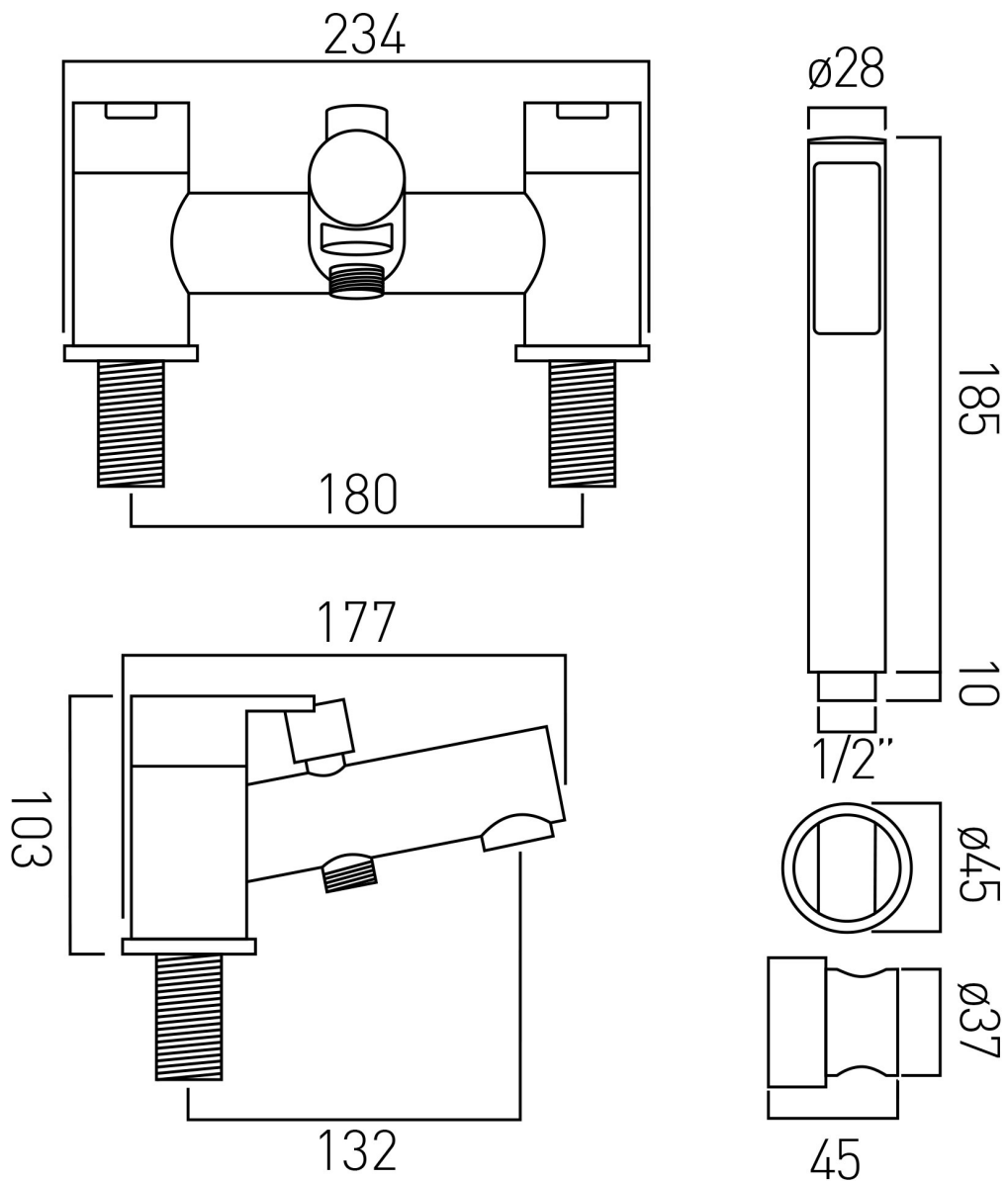
where inspiration flows  
taps | showering | accessories



# TECHNICAL DRAWING

**COLLECTION:** SENSE

**PRODUCT CODE:** SEN-130+K-C/P



tel: 01934 744466  
email: sales@vado.com  
www.vado.com

**where inspiration flows**  
taps | showering | accessories

