

---

# SPECIFICATION SHEET

**COLLECTION:**LIFE

**PRODUCT CODE:**LIF-123+K-C/P



---

## DESCRIPTION:

2 hole exposed bath shower mixer  
single lever  
wall mounted  
with shower kit  
ceramic cartridge CAR-K35B  
12 x 34 x 50mm eccentrics  
minimum operating pressure 15 bar MP

## FINISH:

Chrome

## WATER SAVING:

recommended flow regulator product code: FR-100/5-PLA

## MINIMUM OPERATING PRESSURE:

1.5 bar MP

**FLOW RATE AT 3.0 BAR FLOW PRESSURE:** /min



---

tel: 01934 744466  
email: sales@vado.com  
www.vado.com

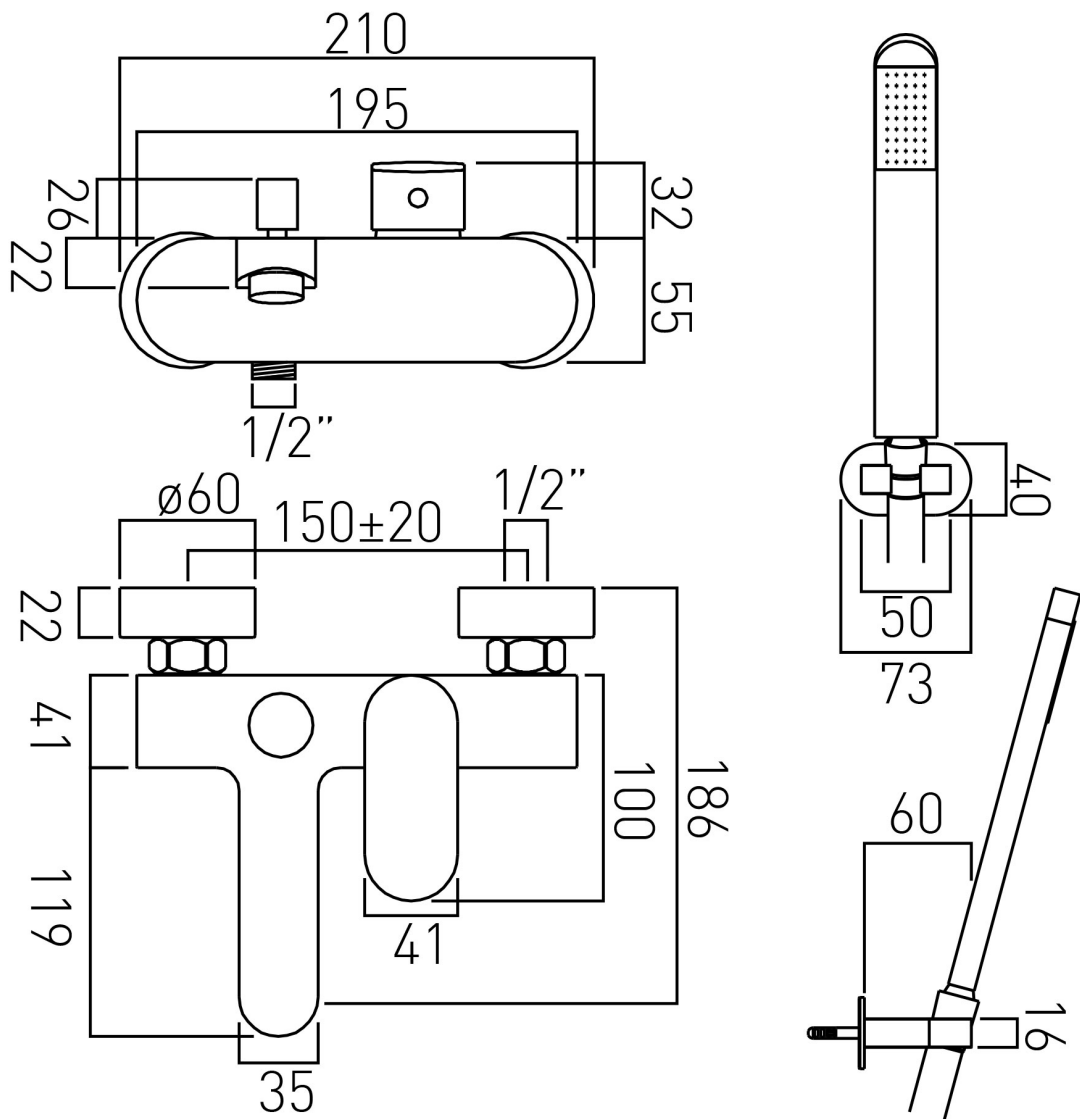
where inspiration flows  
taps | showering | accessories



# TECHNICAL DRAWING

**COLLECTION:** LIFE

**PRODUCT CODE:** LIF-123+K-C/P



tel: 01934 744466

email: sales@vado.com

www.vado.com

**where inspiration flows**

taps | showering | accessories

**VADO**