
SPECIFICATION SHEET

COLLECTION:KOVERA

PRODUCT CODE:KOV-130+K-C/P



DESCRIPTION:

2 hole bath shower mixer
deck mounted
with shower kit
with water flow straightener
cold ceramic cartridge C-302-RTC
hot ceramic cartridge C-302-LTC
2 x 34 fitted tails
deck mount drill hole diameter 2 x 28-30mm
minimum operating pressure 0.2 bar LP

FINISH:

Chrome

WATER SAVING:

recommended flow regulator product code: FR-100/5-PLA

MINIMUM OPERATING PRESSURE:

0.2 bar LP

FLOW RATE AT 3.0 BAR FLOW PRESSURE: /min



tel: 01934 744466
email: sales@vado.com
www.vado.com

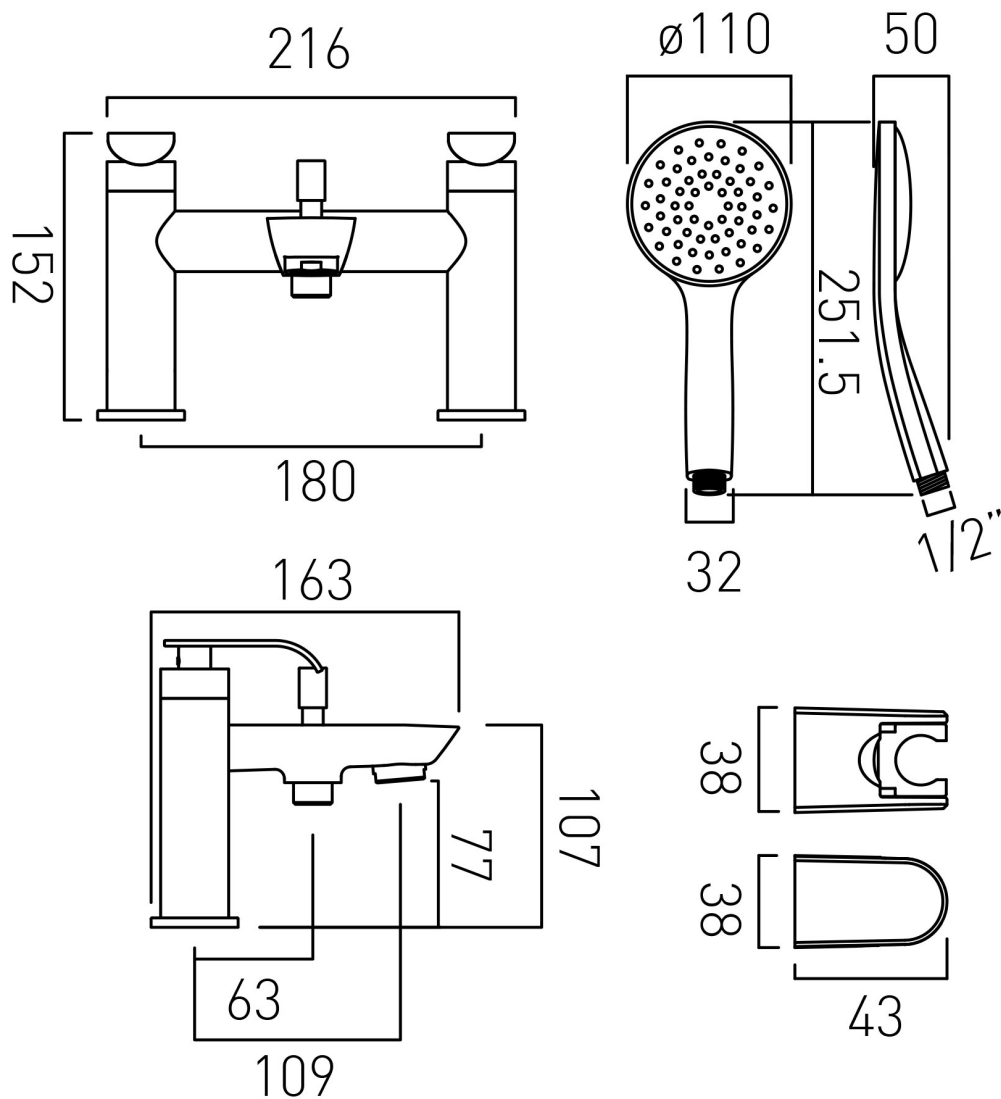
where inspiration flows
taps | showering | accessories



TECHNICAL DRAWING

COLLECTION: KOVERA

PRODUCT CODE: KOV-130+K-C/P



tel: 01934 744466
email: sales@vado.com
www.vado.com

where inspiration flows
taps | showering | accessories

