

SPECIFICATION SHEET

COLLECTION:OMIKA

PRODUCT CODE:OMI-100M/SB-C/P



DESCRIPTION:

mini mono basin mixer
deck mounted
smooth bodied
without universal basin waste
water flow aerator
14 turn ceramic disc valves
2 x FL-401-RTC
2 x 12 x 400mm flexipipe connections
deck mount drill hole diameter 35mm
minimum operating pressure 10 bar MP

FINISH:

Chrome

WATER SAVING:

recommended flow regulator product code: FR-100/5-PLA

MINIMUM OPERATING PRESSURE:

1.0 bar MP

FLOW RATE AT 3.0 BAR FLOW PRESSURE: /min



tel: 01934 744466
email: sales@vado.com
www.vado.com

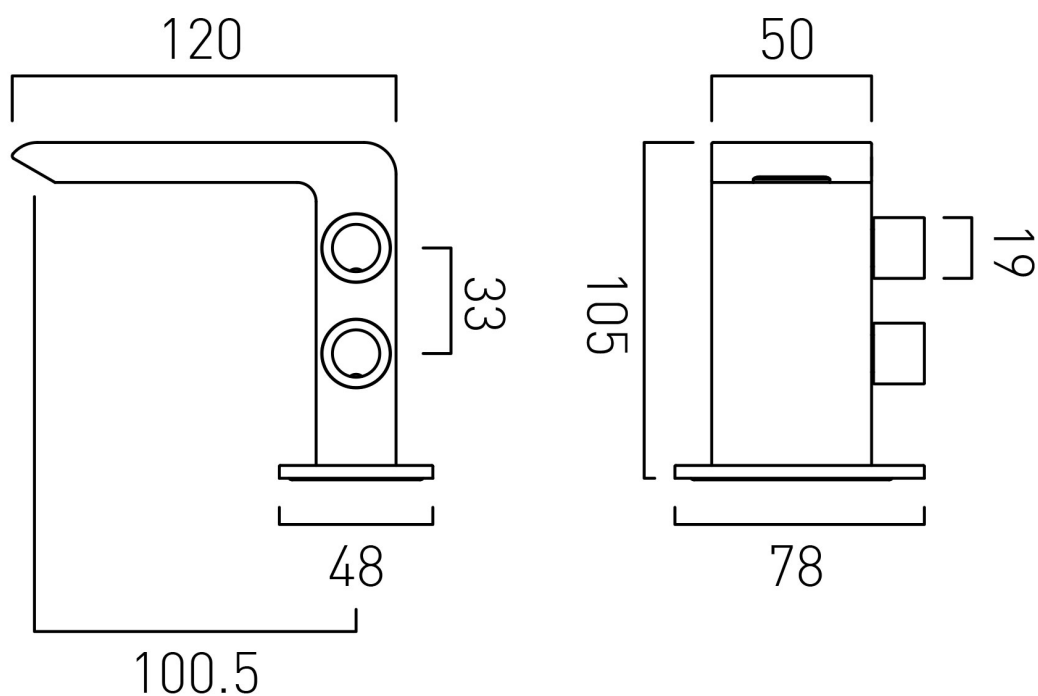
where inspiration flows
taps | showering | accessories



TECHNICAL DRAWING

COLLECTION: OMIKA

PRODUCT CODE: OMI-100M/SB-C/P



tel: 01934 744466
email: sales@vado.com
www.vado.com

where inspiration flows
taps | showering | accessories

