
SPECIFICATION SHEET

COLLECTION:

PRODUCT CODE:WG-RRK/DIV-148-C/P



DESCRIPTION:

rigid riser kit
with diverter
with integral outlet
for use with concealed valves
1/2 threaded inlet
254mm round shower head
atmosphere single function shower handset
minimum operating pressure 1.0 bar MP

FINISH:

Chrome

WATER SAVING:

recommended flow regulator product code: FR-100/5-PLA

MINIMUM OPERATING PRESSURE:

1.0 bar MP

FLOW RATE AT 3.0 BAR FLOW PRESSURE: /min



tel: 01934 744466
email: sales@vado.com
www.vado.com

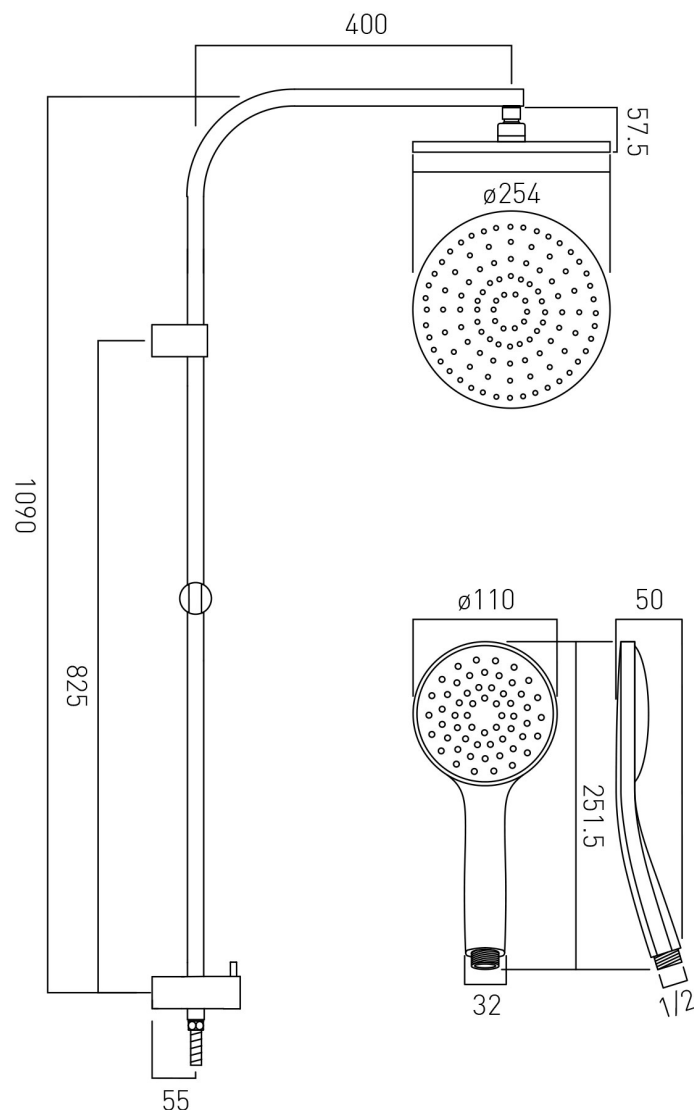
where inspiration flows
taps | showering | accessories



TECHNICAL DRAWING

COLLECTION: RIGID RISERS

PRODUCT CODE: WG-RRK/DIV-148-C/P



tel: 01934 744466
email: sales@vado.com
www.vado.com

where inspiration flows
taps | showering | accessories

