

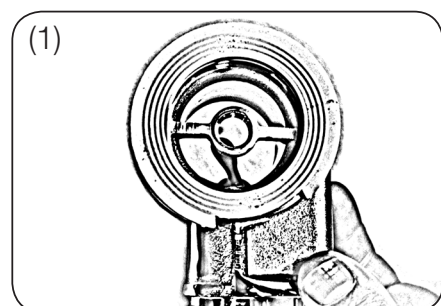
Exposed Pop-up Waste Fitting Instructions

Products Supplied (Please Check)

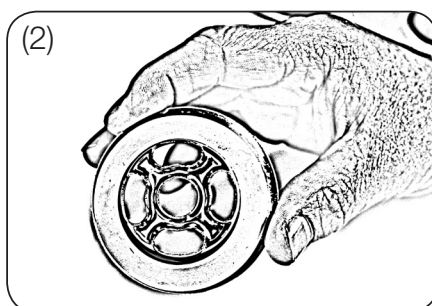
- (1) Waste Connector
- (2) Rubber Seal
- (3) Fibre Seal
- (4) Waste Cover Plate
- (5) Waste Connector Screw
- (6) Adjusting Lock Nut
- (7) Adjustable Screw
- (8) Plug
- (9) Universal Overflow Handle
- (10) Overflow Connector
- (11) Rubber Seal
- (12) Chrome Flange
- (13) Chrome Shroud
- (14) Overflow Connector Screw
- (15) Chrome Overflow Handle
- (16) Adjustable Chrome Pipe
- (17) Pipe Nut
- (18) Fibre Gasket
- (19) Rubber Pipe Seal

Tools Required (Not Supplied)

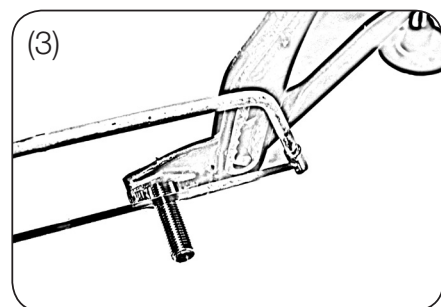
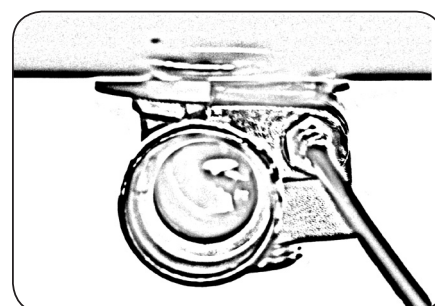
- Large Flathead Screwdriver
- Hacksaw
- Pipe Cutter
- Silicone Sealant
- Silicone Sealant Gun
- Pliers



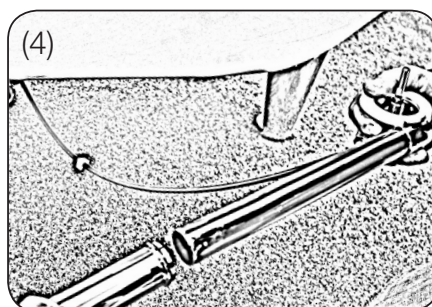
(1) Place (2) Rubber Seal onto (1) Waste Connector and apply silicone sealant.



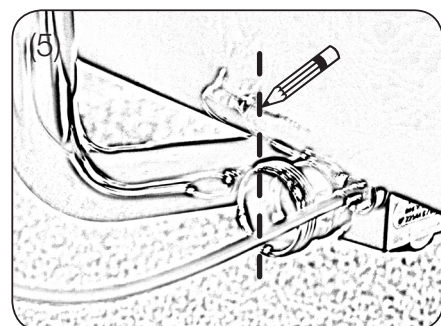
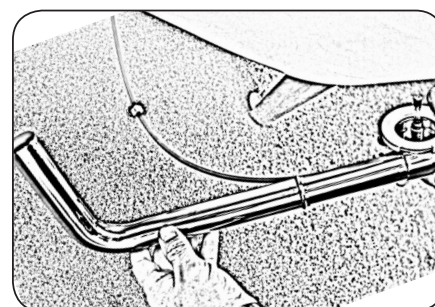
(2) Take the siliconed (1) Waste Connector and (2) Rubber Seal, place these on the underside of waste hole. Then from the inside of the bath lower the (3) Fibre Seal, (4) Waste Cover Plate into the waste hole and tighten the (5) Waste Connector Screw. Clean off any silicone overspill.



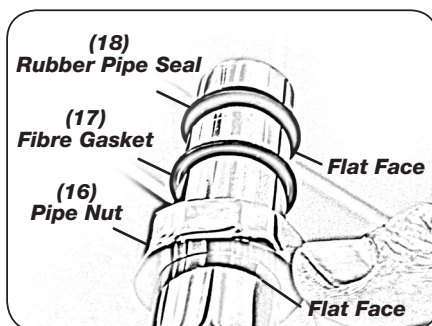
(3) This screw may need to be cut shorter to ensure a sealed connection. (This screw is universal to fit all bath thicknesses).



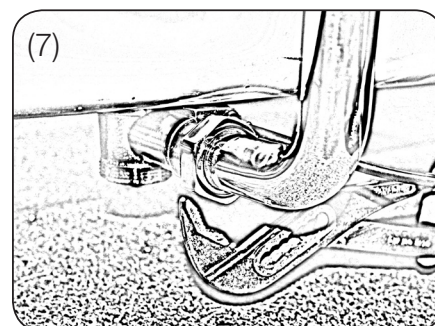
(4) Connect (16) Adjustable Chrome Pipe to the chrome pipe attached to (10) Overflow Connector.



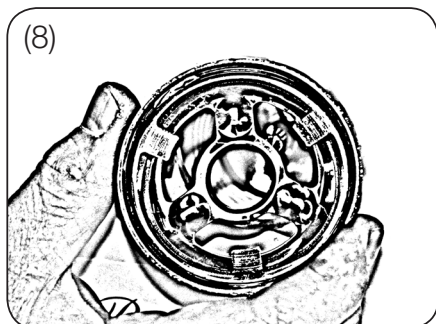
(5) Place the assembled pipe, and place into position. This will indicate where you need to cut the pipe to fit the (1) Waste Connector, using a hacksaw or pipe cutter.



(6) Place onto end of (16) Adjustable Chrome Pipe, (17) Pipe Nut, (18) Fibre Gasket, (19) Rubber Pipe Seal, as shown.



(7) Now Connect (16) Adjustable Chrome Pipe to (1) Waste Connector and tighten (17) Pipe Nut using an adjustable spanner. (Be careful not to damage the chrome.)



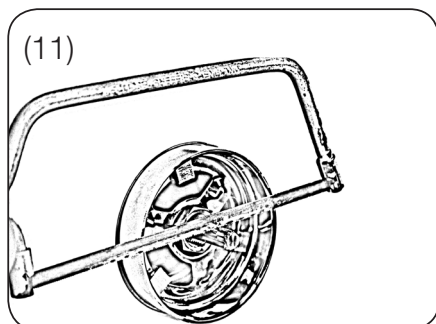
(8) Clip together (12) Chrome Flange and (13) Chrome Shroud and place this against overflow hole. If bath is double skinned, seal around inside of overflow hole with silicone sealant.



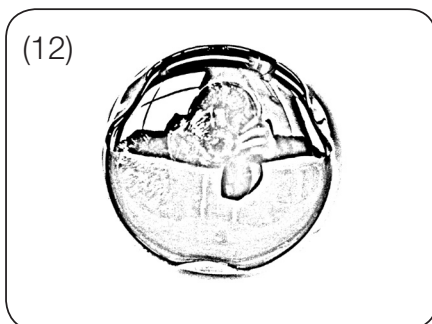
(9) Apply silicone sealant to (11) Rubber Seal and offer to overflow hole.



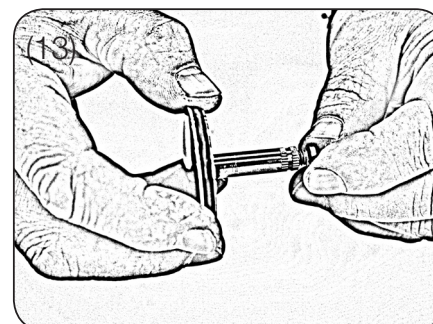
(10) Tighten (10) Overflow Connector using (14) Overflow Connector Screw with adjustable spanner.



(11) To ensure a tight connection, you may need to cut (9) Universal Overflow Handle. Connect (15) Chrome Overflow Handle to determine how much you need to cut off.



(12) Push (15) Chrome Overflow Handle onto (10) Overflow Connector.



(13) Place (8) Plug into waste and adjust (6) Adjusting Lock Nut and (7) Adjustable Screw to desired length for a tight fit. Test by turning (15) Chrome Overflow Handle.

Caring for your bath

Information about your bath

- Royce Morgan baths are made using 2 pieces of 5mm sanitary grade acrylic sheets.
- Both the inner and outer acrylic skins are then reinforced using resin bonded glass fibre strands.
- When the resin is cured it sets solid to give both acrylic skins an improved strength and rigidity.
- They are both then coated with thermal sheets so that the water in the bath has a longer heat retention.
- The inner and outer skins are then bonded together using a polyester based cast giving it a solid base.

How to care for your bath

- It is recommended each time you use your bath to cover the base of the bath with cold water before turning on the hot tap.
- For everyday cleaning we recommend using a soft damp cloth or just warm soapy water.
- You should never use abrasive cleaners on your bath, they will scratch the surface of the acrylic, which will affect the appearance of the glossy look.

- If you do scratch your bath we recommend using an enamel cleaning agent or car polish (T-Cut), this will help to restore your bath back to a lustre finish.
- Replace worn washers on dripping taps to prevent surface marking.
- **Warning** – Solvents such as paint stripper or nail varnish remover will damage the bath.

Important: retain this information for future reference

For further information, please e-mail Customer Services at sales@roycemorgan.co.uk

Exposed Pop-up Waste Fitting Instructions

