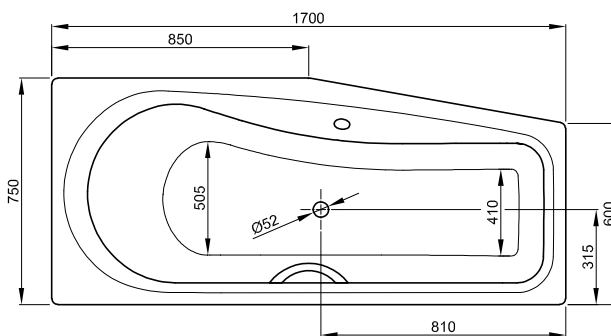




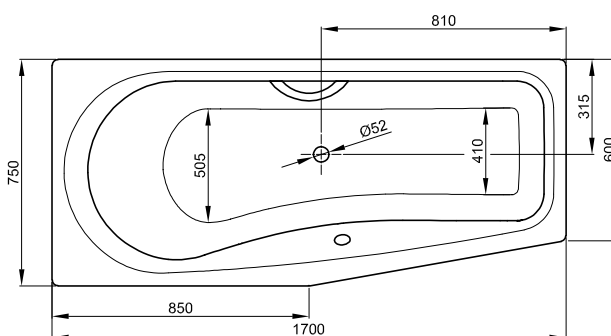
N° 1: foot end left



N° 2: foot end right



N° 1: foot end left



N° 2: foot end right

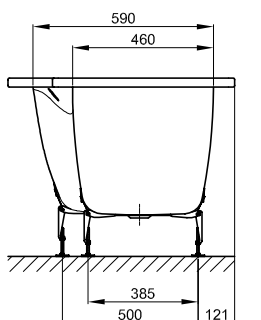
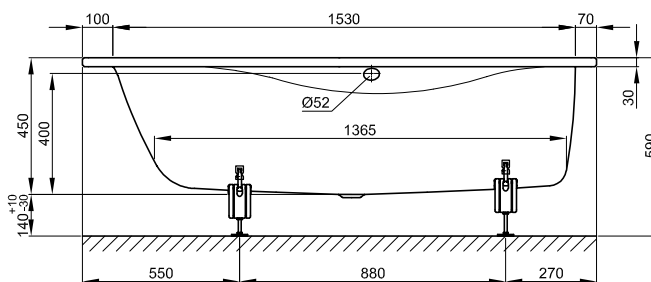
Information

Increased water level due to angled overflow.

Scope of delivery

Including noise-reducing sound-dampening mats.

Design: schmidem design



N° 2: foot end right

Dimensions

article no.	dimensions in mm	variant	volume*
2750	1700 × 750 × 450	N° 1	158 litre
2760	1700 × 750 × 450	N° 2	158 litre

*Water content less 70 litres (for human displacement). Subject to alteration and production tolerance.