

---

# SPECIFICATION SHEET

**COLLECTION:** LIFE

**PRODUCT CODE:** DX-172250-LIF-CP



tel: 01934 744466  
email: [sales@vado.com](mailto:sales@vado.com)  
[www.vado.com](http://www.vado.com)

**where inspiration flows**  
taps | showering | accessories



**DESCRIPTION:**

Life

- 2 outlet thermostatic shower valve
- Aquablade 200mm x 300mm oval head with shower arm
- Atmosphere slide rail shower kit with air-injection single function handset
- Life wall outlet

thermostatic cartridge V-001C-PLA  
diverter cartridge FL-804-33X/3X  
minimum operating pressure 1.0 bar MP

kit comprises:

LIF-148D/2-C/P  
ATM-SFSRK/2-C/P  
AQB-OV/30/SA-C/P  
LIF-OUTLET-C/P

2 x 3/4" female inlets  
2 x 3/4" female outlets  
includes 3/4" - 1/2" adaptors  
inc. bleed valve for system flush on installation  
min-max wall mount 70-95mm  
optimum installation depth 82mm

**FINISH:**

Chrome

**FLOW REGULATOR:**

FR-SHOWER/9-C/P

**MINIMUM OPERATING PRESSURE:**

1.0 bar MP



tel: 01934 744466  
email: sales@vado.com  
www.vado.com

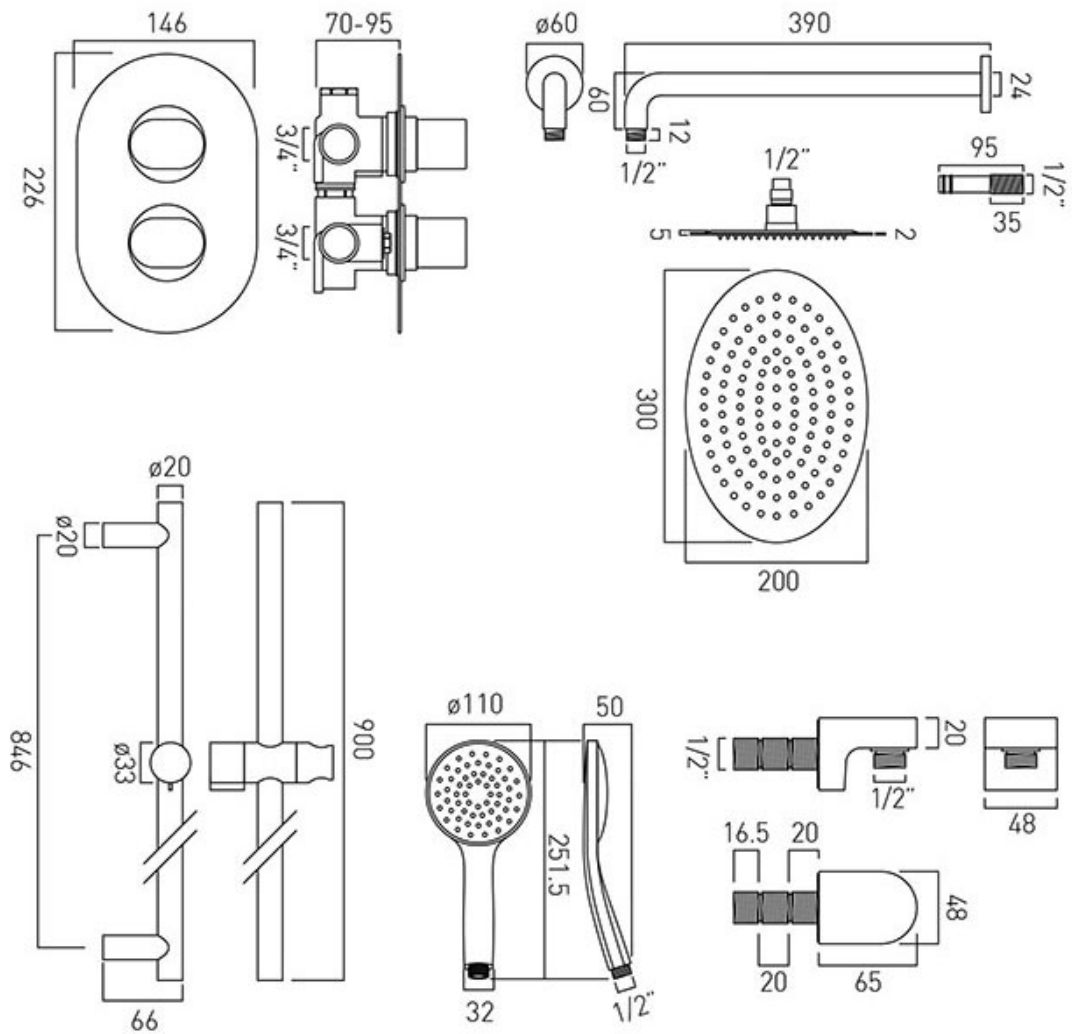
**where inspiration flows**  
taps | showering | accessories



# TECHNICAL DRAWING

COLLECTION: LIFE

PRODUCT CODE: DX-172250-LIF-CP



tel: 01934 744466  
email: sales@vado.com  
www.vado.com

**where inspiration flows**  
taps | showering | accessories

