
SPECIFICATION SHEET

COLLECTION: DX

PRODUCT CODE: DX-173252-MIX-CP



tel: 01934 744466
email: sales@vado.com
www.vado.com

where inspiration flows
taps | showering | accessories



DESCRIPTION:

Mix2

- 3 outlet thermostatic shower valve
- Aquablade 200mm square head and shower arm
- Mix2 single function shower kit with integrated outlet and bracket
- square push type bath filler waste and overflow

thermostatic cartridge V-001C-PLA
diverter cartridge FL-804-33X/3X
minimum operating pressure
0.2 bar LP (shower) 1.0 bar MP (bath)

kit comprises:

MIX-148D/3-C/P
AQB-SQ/20/SA/A-C/P
MIX-SFMKW0-C/P
WG-81389/SQ-C/P

2 x 3/4" female inlets
3 x 3/4" female outlets
includes 3/4" - 1/2" adaptors
inc. bleed valve for system flush on installation
min-max wall mount 70-95mm
optimum installation depth 82mm

FINISH:

Chrome

FLOW REGULATOR:

FR-SHOWER/9-C/P (Shower Kit) FR-SHOWER/9-PLA (Fixed Head)

MINIMUM OPERATING PRESSURE:

1.0 bar MP (bath) 0.2 bar LP (Shower)



tel: 01934 744466
email: sales@vado.com
www.vado.com

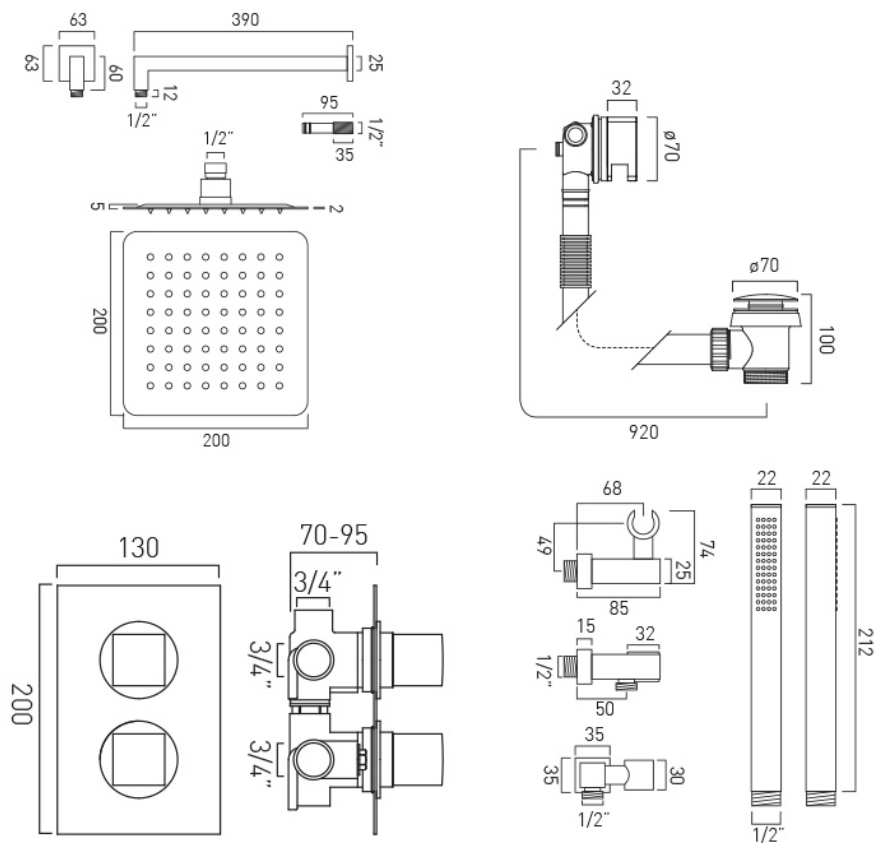
where inspiration flows
taps | showering | accessories



TECHNICAL DRAWING

COLLECTION: DX

PRODUCT CODE: DX-173252-MIX-CP



tel: 01934 744466
email: sales@vado.com
www.vado.com

where inspiration flows
taps | showering | accessories

