
SPECIFICATION SHEET

COLLECTION: CELSIUS

PRODUCT CODE: DX-173252-CELSQ-CP



tel: 01934 744466
email: sales@vado.com
www.vado.com

where inspiration flows
taps | showering | accessories



DESCRIPTION:

Celsius

- 3 outlet thermostatic shower valve
- Aquablade 200mm round head and shower arm
- Zoo single function shower kit with integrated outlet and bracket
- push type bath filler waste and overflow

thermostatic cartridge V-001C-PLA

diverter cartridge FL-804-33X/3X

minimum operating pressure

0.2 bar LP (shower) 1.0 bar MP (bath)

kit comprises:

CEL-148D/3/SQ-C/P

AQB-RO/20/SA-C/P

ZOO-SFMKWO-C/P

WG-81389-C/P

2 x 3/4" female inlets

3 x 3/4" female outlets

includes 3/4" - 1/2" adaptors

inc. bleed valve for system flush on installation

min-max wall mount 70-95mm

optimum installation depth 82mm

FINISH:

Chrome

FLOW REGULATOR:

FR-SHOWER/9-C/P (Shower Handset) FR-SHOWER/9-C/P (Fixed Shower Head)

MINIMUM OPERATING PRESSURE:

1.0 bar MP (bath) 0.2 bar LP (shower)



tel: 01934 744466

email: sales@vado.com

www.vado.com

where inspiration flows

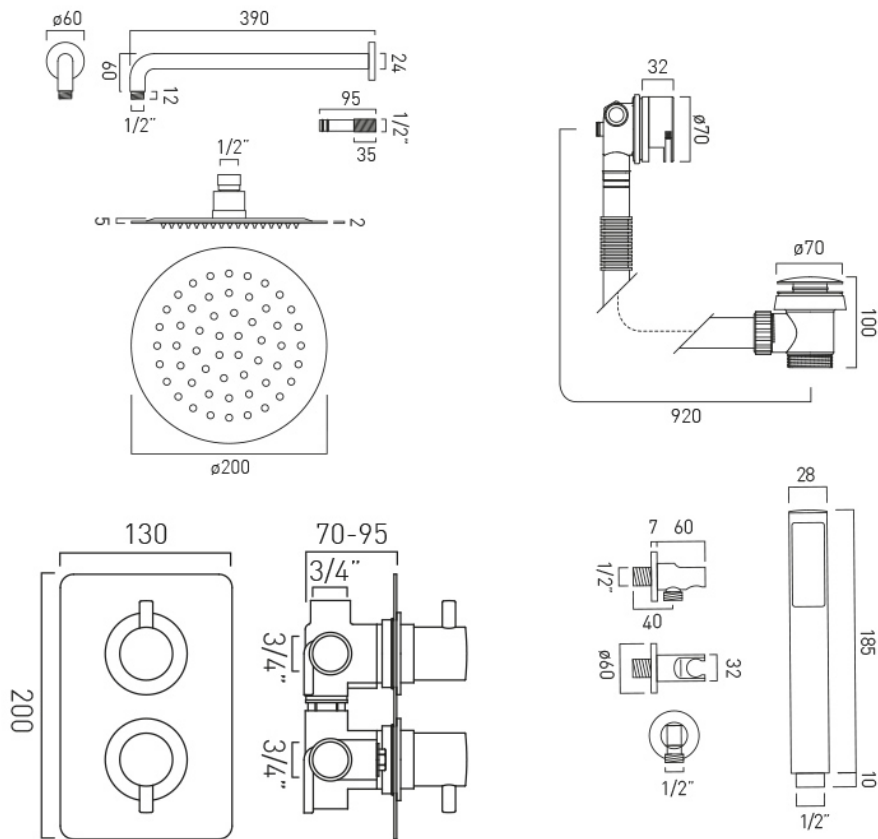
taps | showering | accessories



TECHNICAL DRAWING

COLLECTION: CELSIUS

PRODUCT CODE: DX-173252-CELSQ-CP



tel: 01934 744466
email: sales@vado.com
www.vado.com

where inspiration flows
taps | showering | accessories

