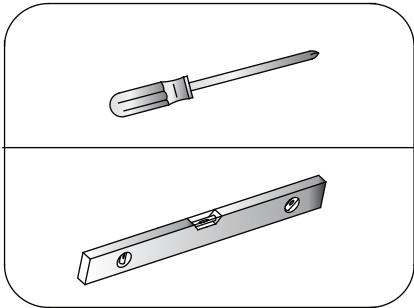
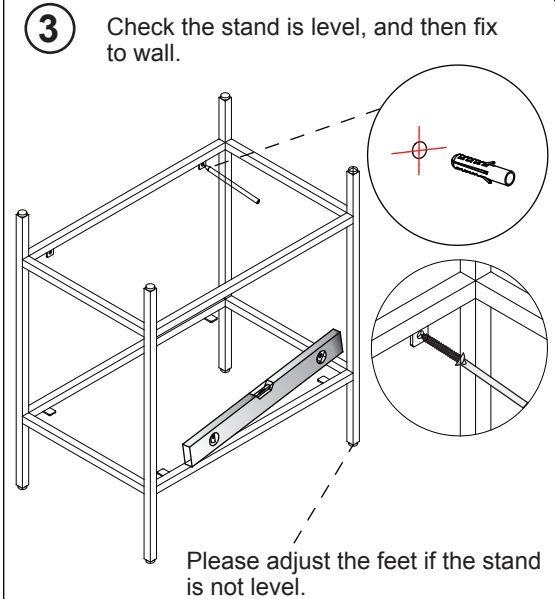
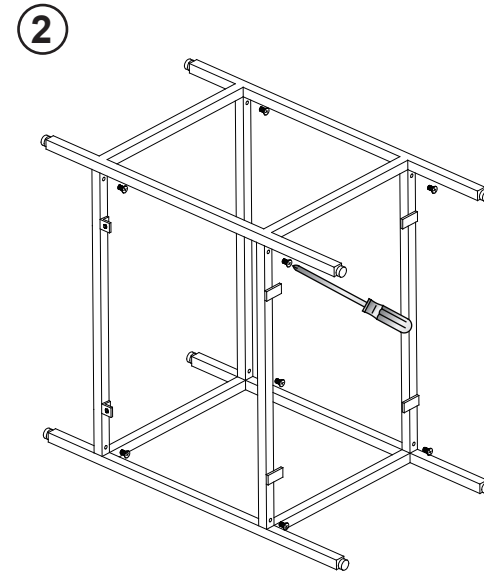
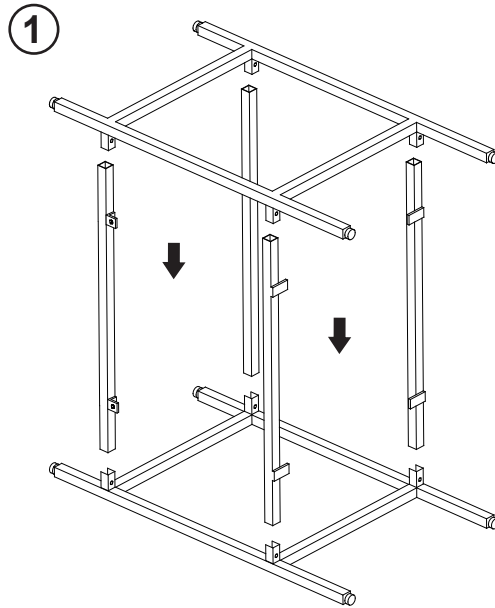
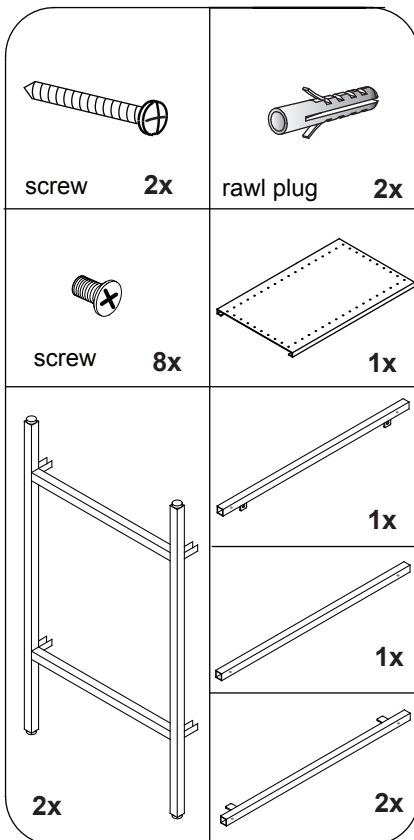


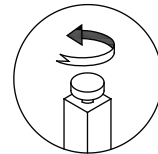
Tools required:



Parts supplied:



4 Place the basin in position ensuring that it is level. The basin must be fixed to the wall at the rear using appropriate wall screws.



The top part of the rail can be adjusted slightly if the basin is not level.

