
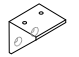


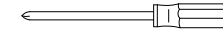


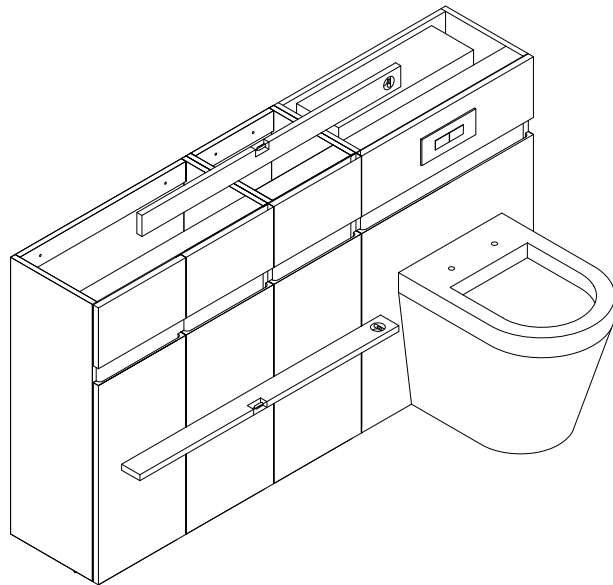
Parts Supplied:

Item	600mm work top QTY	900mm work top QTY	1200mm work top QTY	1500mm work top QTY
 Work top	1	1	1	1
 Bracket	2	3	4	5
 M4*25 screw	2	4	4	6
 M3,6*16 screw	8	12	16	20

Tools Required:

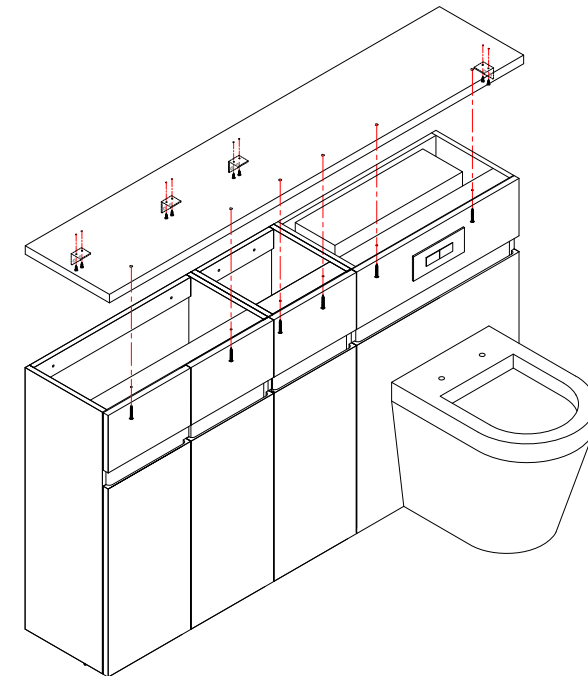


1

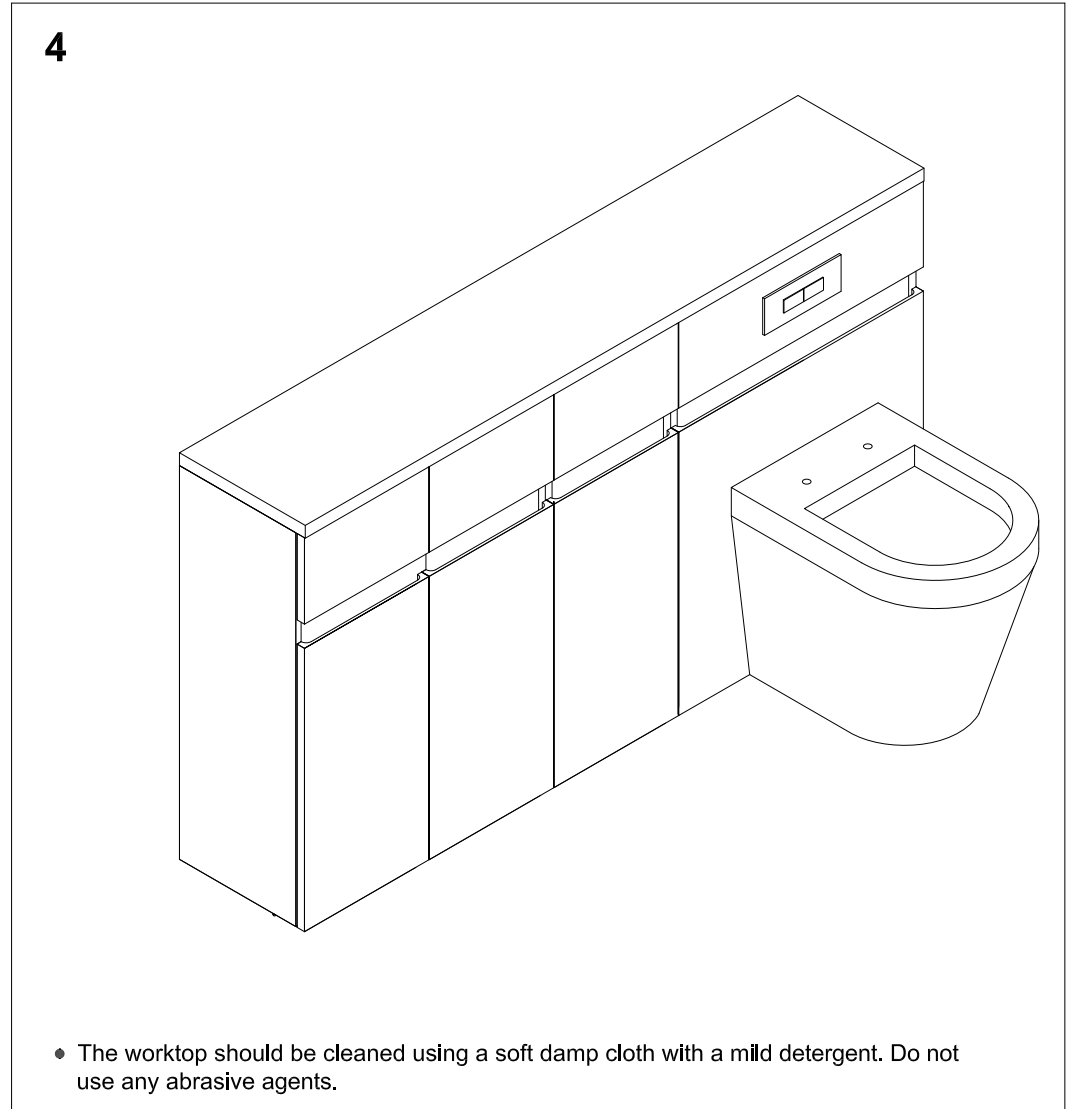
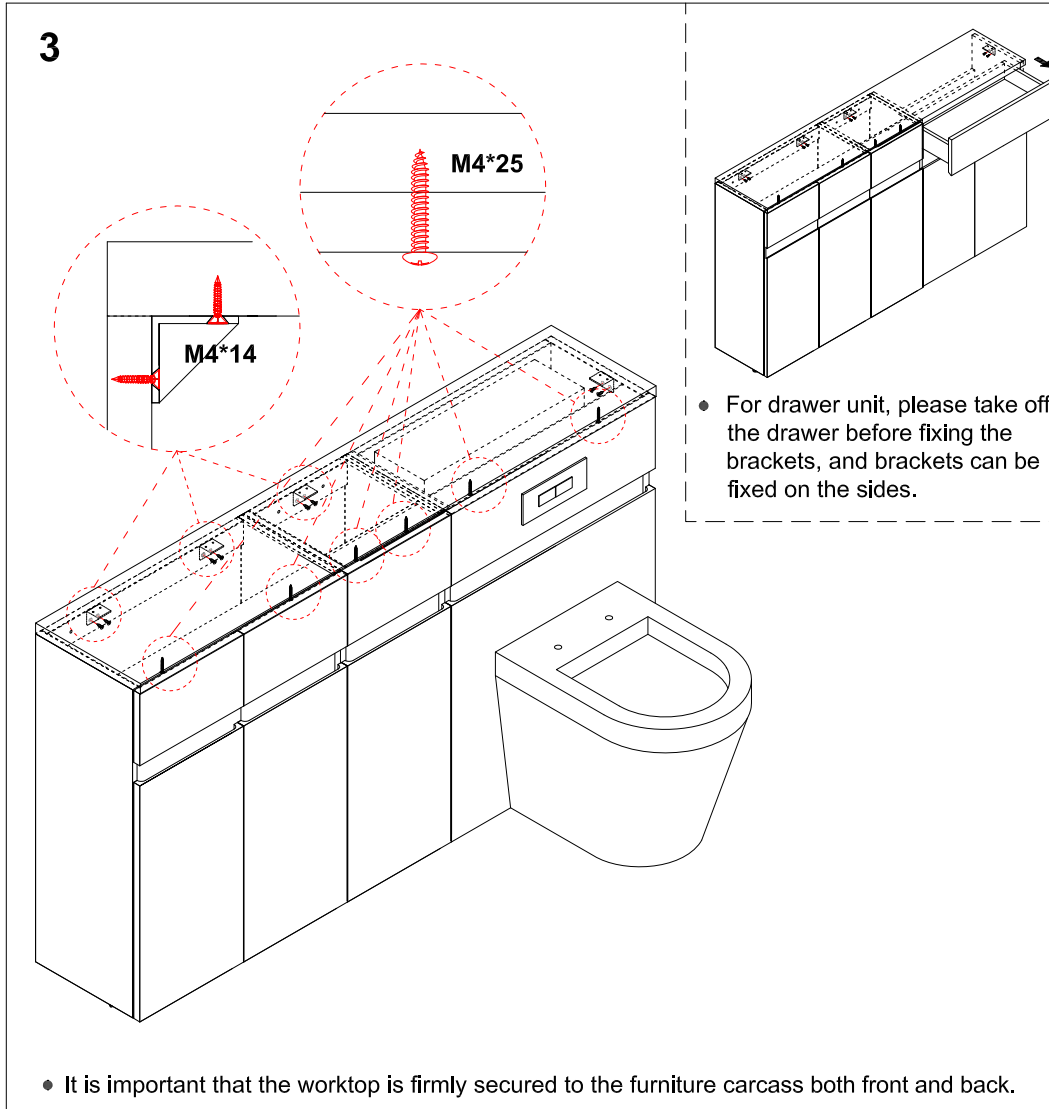


- Make sure that the cabinets are level, and flush.

2



- Depending on your furniture combination use the brackets and fixing screws to secure the worktop as shown in the above diagram.



Care and Maintenance

Please leave with the householder

This furniture is made of wood, and has a water resistant finish. It should not be left wet. The quality of the finish is best maintained if it is wiped with a dry cloth after use. It should only be cleaned using a soft damp cloth followed by a dry cloth. Do not use bleach or any abrasive cleaner.