

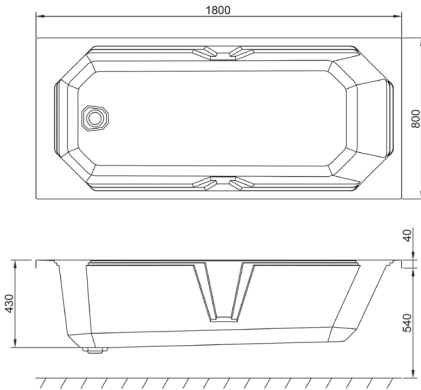
# HIGHGATE SE

L 1800mm  
W 800mm

103

	CARRONITE	CODE
<b>HIGHGATE SE (C/W PAIR GRIPS)</b>	<b>£1046</b>	02580
L-SHAPED PANEL 1800x800x540	£270	02546
FRONT PANEL 1800x540	£172	02544
SCREEN (ETCHED)	£208	02549

New  
Bath



\* SE bath comes pre-drilled with grips. Plain option is available as a special order.



Carronite



Panel



Hand Grips

## WATER CAPACITY

268 LTR

This measurement is taken to the overflow

## WHIRLPOOL COMPATIBLE

N/A

## KIT REFERENCES

CARRONITE - AK-03-C