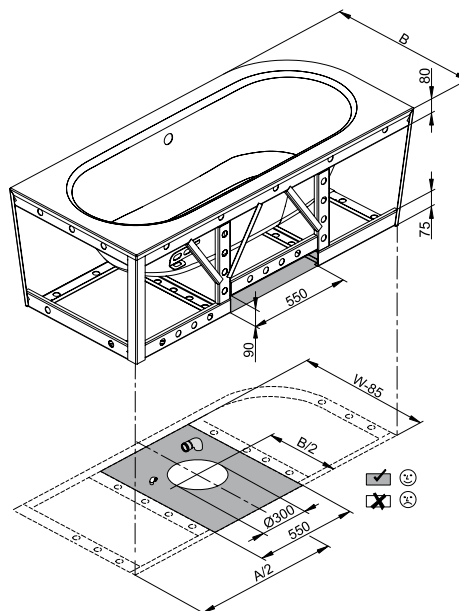
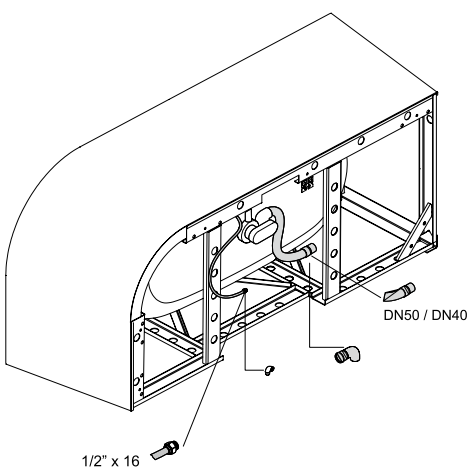
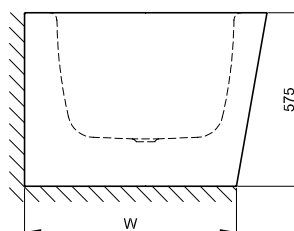
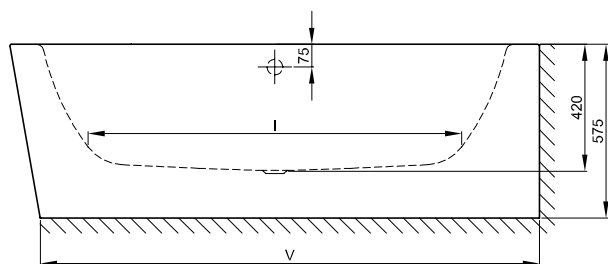
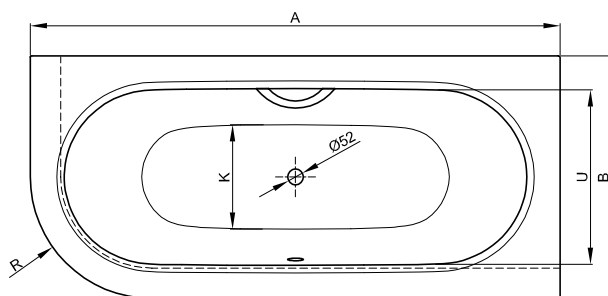


BetteStarlet V Silhouette

BETTE



Adequate position to connect the drainage

Dimension

article no.	dimensions in mm	A	B	I	K	R	U	V	W	volume*
6680 CELVK	1650 x 750 x 420	1650	750	1170	485	375	540	1550	650	92 litre
6690 CELVK	1750 x 800 x 420	1750	800	1270	535	400	590	1650	700	122 litre
6700 CELVK	1850 x 850 x 420	1850	850	1370	585	425	640	1750	750	155 litre
6720 CELVK	1950 x 950 x 420	1950	950	1470	635	475	735	1850	850	205 litre

*Water content less 70 litres (for human displacement). Subject to alteration and production tolerance.