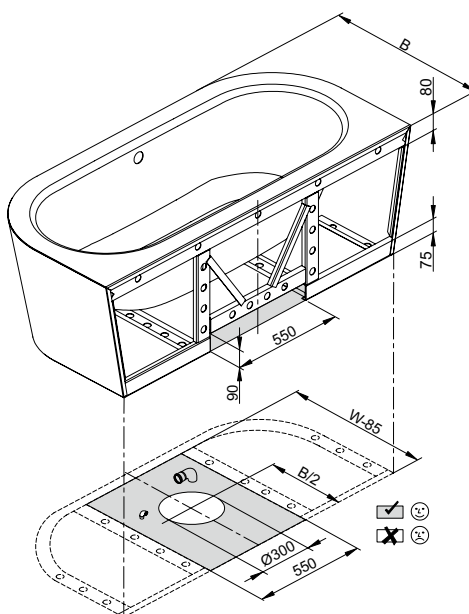
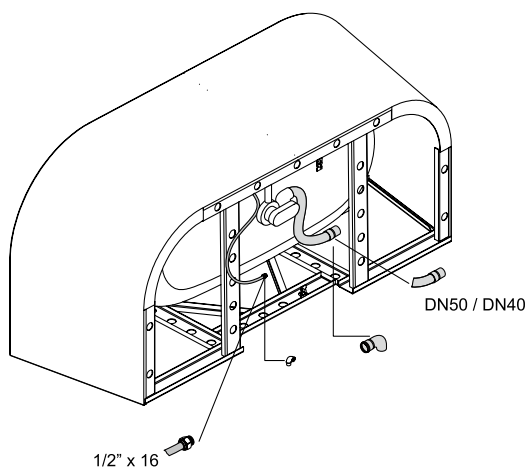
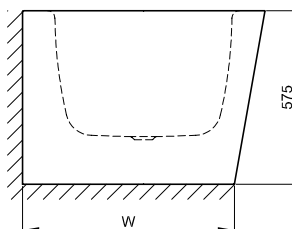
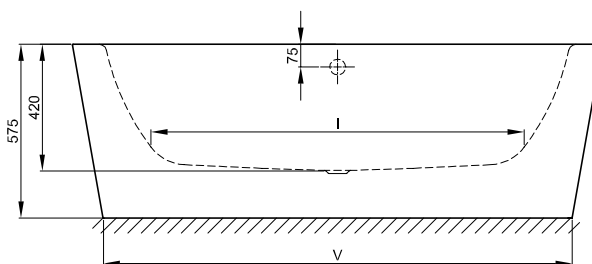
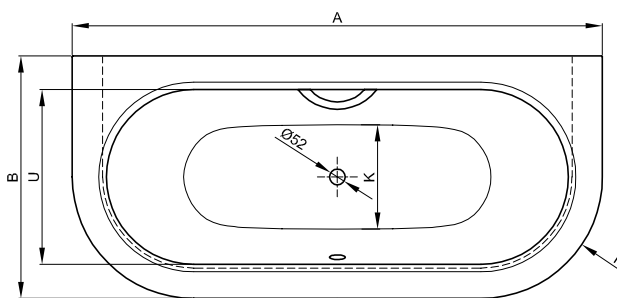


# BetteStarlet I Silhouette

**BETTE**



Adequate position to connect the drainage

## Dimension

article no.	dimensions in mm	A	B	I	K	R	U	V	W	volume*
8300 CWVVK	1650 x 750 x 420	1650	750	1170	485	375	540	1450	650	92 litre
8310 CWVVK	1750 x 800 x 420	1750	800	1270	535	400	590	1550	700	122 litre
8320 CWVVK	1850 x 850 x 420	1850	850	1370	585	425	640	1650	750	155 litre
8325 CWVVK	1950 x 950 x 420	1950	950	1470	635	475	735	1750	845	205 litre

\*Water content less 70 litres (for human displacement). Subject to alteration and production tolerance.