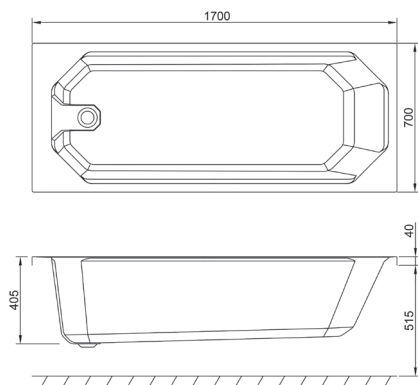


CAMDEN SE

L 1700mm
W 700mm

	5mm	CODE	CARRONITE	CODE
CAMDEN SE	£251	02559	£465	02560
L-SHAPED PANEL 1700x700x515	-	-	£265	02299
FRONT PANEL 1700x515	£92	02320	£133	02321
END PANEL 700x515	£73	02285	£96	02271
SCREEN CFS-1 (H=1400MM)	£122	02344	£122	02344
SCREEN CFS-2 (H=1500MM)	£135	02346	£135	02346

New
Bath



Carronite



Panel

WATER CAPACITY

209 LTR

This measurement is taken to the overflow

WHIRLPOOL COMPATIBLE

N/A

KIT REFERENCES

STANDARD - AK-01

CARRONITE - AK-01-C