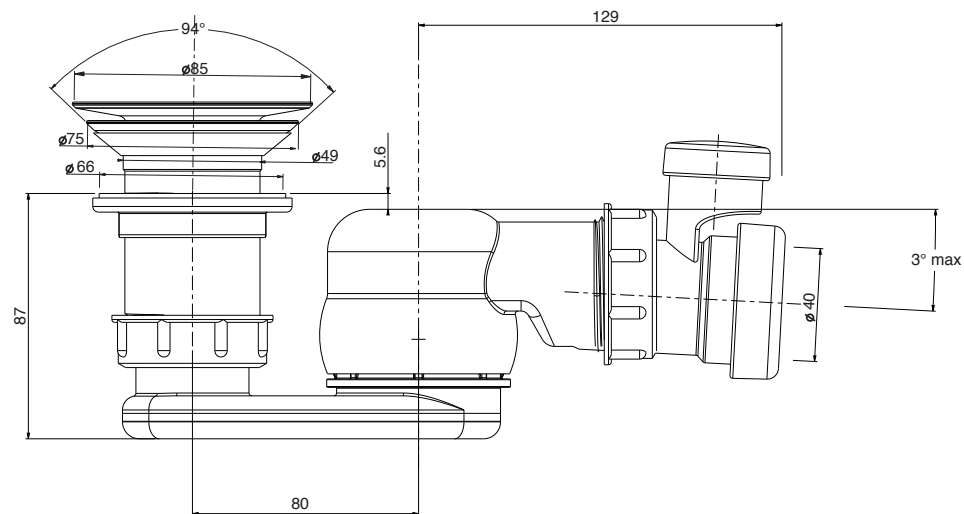
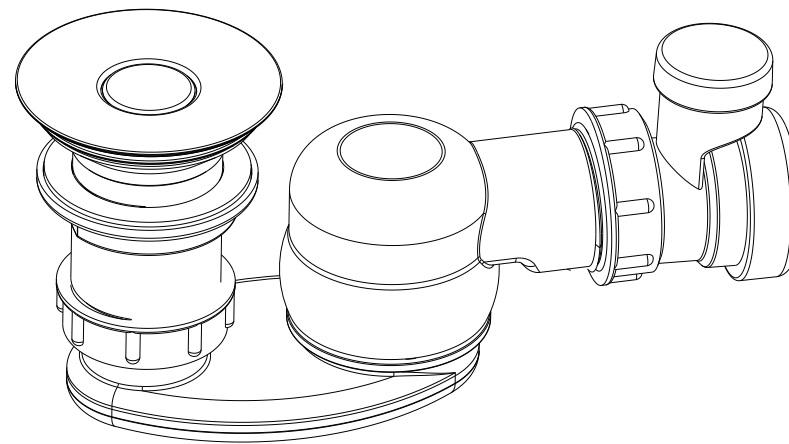


**Address**  
 Clearwater  
 Lakeview House,  
 Rennie Drive,  
 Dartford,  
 Kent  
 DA1 5FU

06/2018.AT21551A01

\*Bylaw n. 166/2009 - As bylaw enacted we state that some components of this product are imported from extra-EU countries. Tested, assembled and inspected inside our factory.\*

C L E A R W A T E R



# Installation Notes

- Please ensure that the air vent is installed in the correct position at the top of waste outlet.
  - When temperatures fall below 0°C protect the product from frost.
  - Use mains water only and particularly avoid salt water and/or water containing sand.
  - Do not alter or modify the product in any way.
  - The correct cleaning of the waste do not use products containing solvents, acid or alkaline corrosive substances to clean the product, abrasive sponge and plugs with metallic thread, because they could irreversibly alter the treated surfaces.
- The MANUFACTURER disclaims any responsibility for use which fails to comply with the installation notes.

